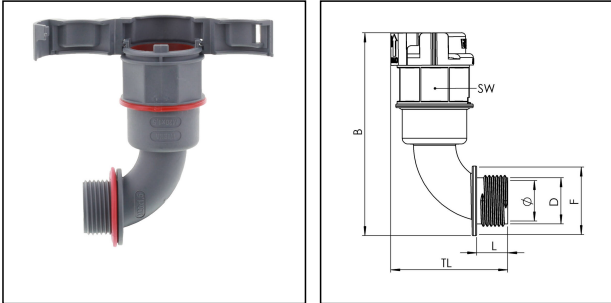


EBF90-07-12-BG

Conduit fitting, 90° angle, plastic



Products may differ in size, colour and appearance to those shown. If you require further information or customisation, please contact us directly.



Material Conduit fitting	polyamide UL94-V0
Material Connection thread	polyamide UL94-V0
Material sealing gasket	TPU
Protection class	IP68, IP66
Temp. range min	-40 °C
Temp. range max	100 °C
Operational areas	EN 45545 - Railway
NW	7
Thread type	M
Ø Connection thread D	12
Lead	1,5
Length screw-in thread L	9 mm
Ø inside	6 mm
Ø Gasket F	18 mm
Key width SW	17 mm
Width B	64,8 mm
Total length TL	32 mm
Type of conduit fitting	90° Angle
UL 1696	No
Product Color	RAL 7031
Type	EBF90-07-12-BG
Order no. RAL 7031	10106966
Packing unit	50
EAN number	4007686035216
Tariff number	39174000

Your Contact:

WISKA Hoppmann GmbH

Kisdorfer Weg 28 · 24568 Kaltenkirchen · Germany

☎ +49-4191-508-0 · 📠 +49-4191-508-209

contact@wiska.de · www.wiska.com

ETIM-Classification

EC001176

Recommended accessories

BCAV-S-07-BG	10107095
BCA-S-07-BG	10109177
BCIV-S-07-BG	10109180
BCAB-L-07-BG	10109190
BCAV-H-07-BG	10109207
BCIB-H-07-BG	10109229

12.05.2026

Your Contact:

WISKA Hoppmann GmbH

Kisdorfer Weg 28 · 24568 Kaltenkirchen · Germany

☎ +49-4191-508-0 · 📠 +49-4191-508-209

contact@wiska.de · www.wiska.com



Your Contact:

WISKA Hoppmann GmbH

Kisdorfer Weg 28 · 24568 Kaltenkirchen · Germany

☎ +49-4191-508-0 · 📠 +49-4191-508-209

contact@wiska.de · www.wiska.com