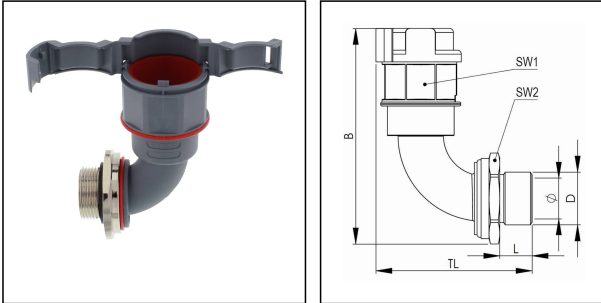


EMBF90-36-40-BG

Conduit fitting, 90° angle, brass



Products may differ in size, colour and appearance to those shown. If you require further information or customisation, please contact us directly.



Material Conduit fitting	polyamide UL94-V0
Material Connection thread	Brass nickel-plated
Material sealing gasket	TPU
Protection class	IP66, IP68
Temp. range min	-40 °C
Temp. range max	100 °C
Operational areas	EN 45545 - Railway
NW	36
Thread type	M
Ø Connection thread D	40
Lead	1,5
Length screw-in thread L	12 mm
Ø inside	33 mm
Key width SW1	50 mm
Key width SW2	50 mm
Width B	122,2 mm
Total length TL	80,7 mm
Type of conduit fitting	90° Angle
UL 1696	Yes
Product Color	RAL 7031
Type	EMBF90-36-40-BG
Order no. RAL 7031	10107009
Packing unit	10
EAN number	4007686036107
Tariff number	74122000

Your Contact:

WISKA Hoppmann GmbH

Kisdorfer Weg 28 · 24568 Kaltenkirchen · Germany

☎ +49-4191-508-0 · 📠 +49-4191-508-209

contact@wiska.de · www.wiska.com

ETIM-Classification

EC001176

Remarks:

UL approval only in conjunction with UL approved corrugated conduits

Recommended accessories

EMMU 40	10063146
BCA-S-36-BG	10107085
BCAV-S-36-BG	10107102
BCIV-S-36-BG	10107118
BCA-36-D-BG	10107132
BCAV-36-D-BG	10107146
BCAB-L-36-BG	10109197
BCAV-H-36-BG	10109213
BCIB-H-36-BG	10109236

26.06.2026

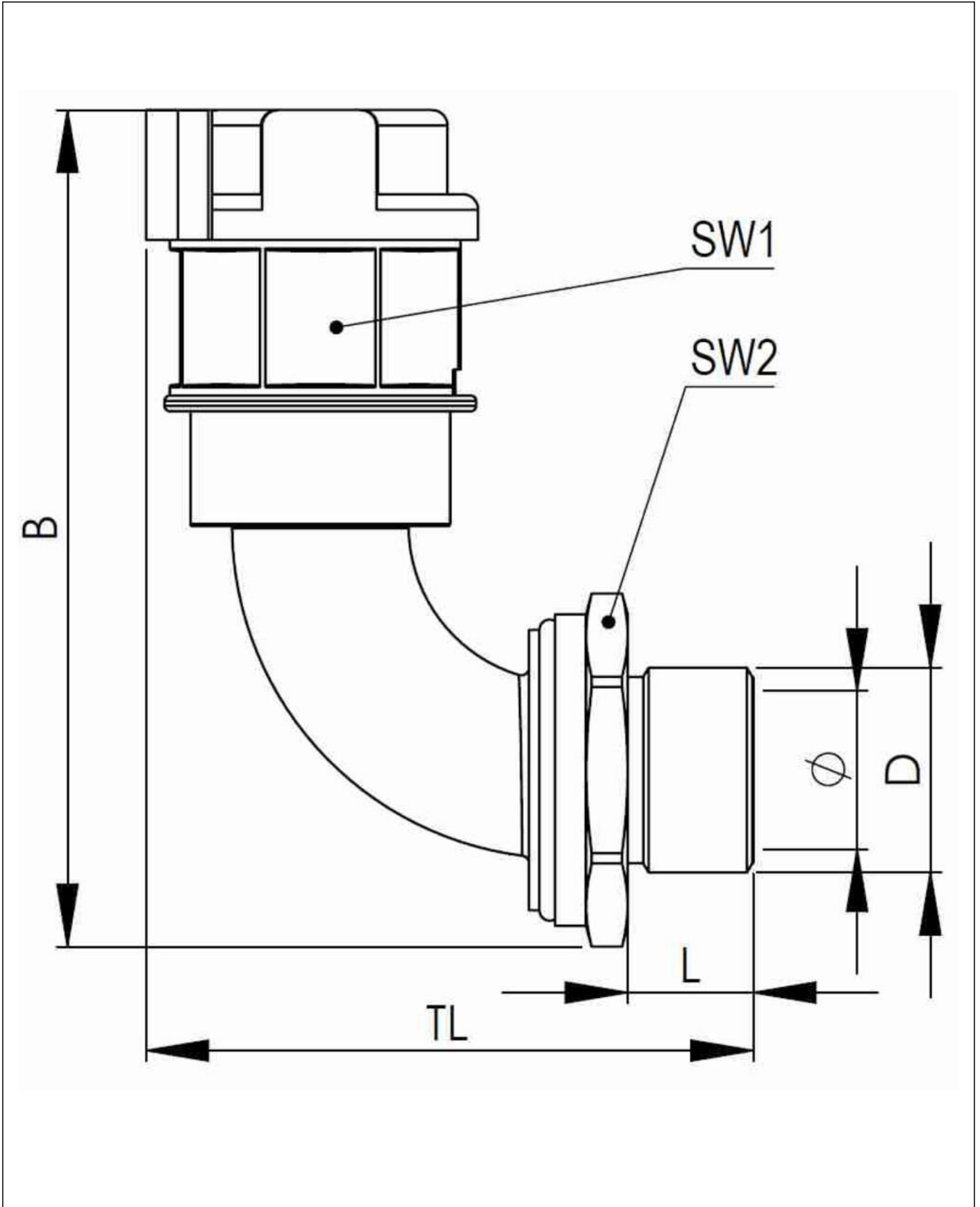
Your Contact:

WISKA Hoppmann GmbH

Kisdorfer Weg 28 · 24568 Kaltenkirchen · Germany

☎ +49-4191-508-0 · 📠 +49-4191-508-209

contact@wiska.de · www.wiska.com



Your Contact:
WISKA Hoppmann GmbH
Kisdorfer Weg 28 · 24568 Kaltenkirchen · Germany
☎ +49-4191-508-0 · 📠 +49-4191-508-209
contact@wiska.de · www.wiska.com

Other technical data on request / subject to change without notice