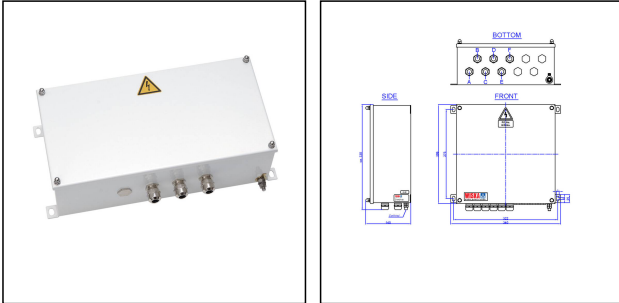


## SWITCH/5P/GBit/4POE+/2P24/OUT



Products may differ in size, colour and appearance to those shown. If you require further information or customisation, please contact us directly.

<b>Type</b>	SWITCH/5P/GBit/4POE+/2P24/OUT
<b>WISKA-Order no.</b>	10107152
<b>Material</b>	Stainless steel
<b>Colour</b>	RAL 9016
<b>Operational areas</b>	Outdoor
<b>for camera</b>	IP
<b>Mounting</b>	Surface mounting
<b>Temp. range min</b>	-25 °C
<b>Temp. range max</b>	55 °C
<b>Protection class</b>	IP66 / IP67
<b>Software</b>	Unmanaged
<b>PoE ports</b>	0
<b>PoE+ ports</b>	4
<b>RJ45 ports</b>	5
<b>SFP ports</b>	0
<b>FOC ports</b>	0
<b>Advice</b>	Boxed
<b>Voltage</b>	100 V - 240 V
<b>Type of Voltage</b>	AC
<b>Frequence</b>	50/60 Hz
<b>Wattage</b>	136 W
<b>Weight</b>	7,5 kg
<b>Tariff number</b>	85176200

Remarks:

Your Contact:

**WISKA Hoppmann GmbH**

Kisdorfer Weg 28 · 24568 Kaltenkirchen · Germany

☎ +49-4191-508-0 · 📠 +49-4191-508-209

contact@wiska.de · www.wiska.com

**Unmanaged Ethernet Switch**

**Ports: 5 x**

**1x RJ-45 1GBit**

**4x RJ-45 1GBit/POE+**

**PoE power budget: 136,80 W**

**Mounting: Outdoor**

**Operating Temperature: -25~55°C**

**Power in: 230VAC /50~60HZ**

**Power out: 2x 24VDC**

**Housing: IBS3030,**



**Stainless Steel, IP66/67**

12.05.2026

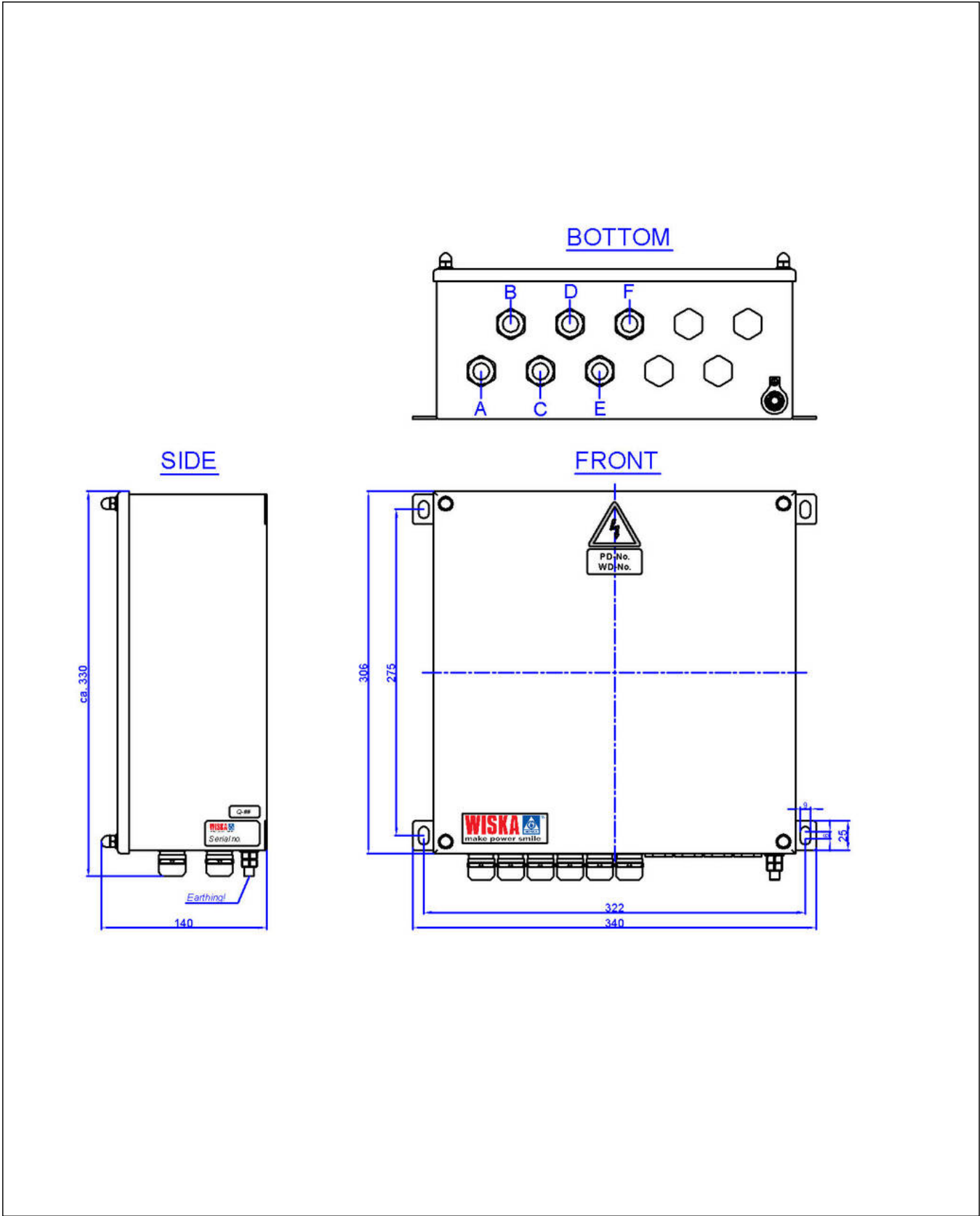
Your Contact:

**WISKA Hoppmann GmbH**

Kisdorfer Weg 28 · 24568 Kaltenkirchen · Germany

 +49-4191-508-0 ·  +49-4191-508-209

contact@wiska.de · www.wiska.com



Your Contact:

**WISKA Hoppmann GmbH**

Kisdorfer Weg 28 · 24568 Kaltenkirchen · Germany

☎ +49-4191-508-0 · 📠 +49-4191-508-209

contact@wiska.de · www.wiska.com