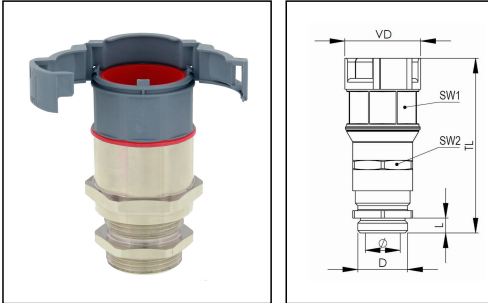


## EMBFSCG-17-20-BG

Conduit fitting with cable gland, straight, plastic/brass, RAL 7031, NW17



Products may differ in size, colour and appearance to those shown. If you require further information or customisation, please contact us directly.



<b>Material Conduit fitting</b>	polyamide UL94-V0
<b>Material Connection thread</b>	Brass nickel-plated
<b>Material sealing gasket</b>	TPU
<b>Protection class</b>	IP68, IP66
<b>Temp. range min</b>	-40 °C
<b>Temp. range max</b>	100 °C
<b>Operational areas</b>	EN 45545 - Railway
<b>NW</b>	17
<b>Thread type</b>	M
<b>Ø Connection thread D</b>	20
<b>Lead</b>	1,5
<b>Length screw-in thread L</b>	6 mm
<b>Ø cable diameter min</b>	6 mm
<b>Ø cable diameter max</b>	13 mm
<b>Ø closure VD</b>	33,2 mm
<b>Ø inside</b>	13 mm
<b>Key width SW1</b>	27 mm
<b>Key width SW2</b>	24 mm
<b>Total length TL</b>	65,2 mm - 69,4 mm
<b>Type of conduit fitting</b>	straight
<b>Product Color</b>	RAL 7031
<b>Type</b>	EMBFSCG-17-20-BG
<b>Order no. RAL 7031</b>	10107374
<b>Packing unit</b>	50
<b>EAN number</b>	4007686042665

Your Contact:

WISKA Hoppmann GmbH

Kisdorfer Weg 28 · 24568 Kaltenkirchen · Germany

☎ +49-4191-508-0 · 📠 +49-4191-508-209

contact@wiska.de · www.wiska.com

<b>Tariff number</b>	74122000
<b>ETIM-Classification</b>	EC001176

## Recommended accessories

<b>EMMU 20</b>	10063143
<b>BCA-S-17-BG</b>	10107082
<b>BCAV-S-17-BG</b>	10107099
<b>BCIV-S-17-BG</b>	10107115
<b>BCA-17-D-BG</b>	10107129
<b>BCAV-17-D-BG</b>	10107143
<b>BCAB-L-17-BG</b>	10109194
<b>BCAV-H-17-BG</b>	10109210
<b>BCIB-H-17-BG</b>	10109233

23.05.2026

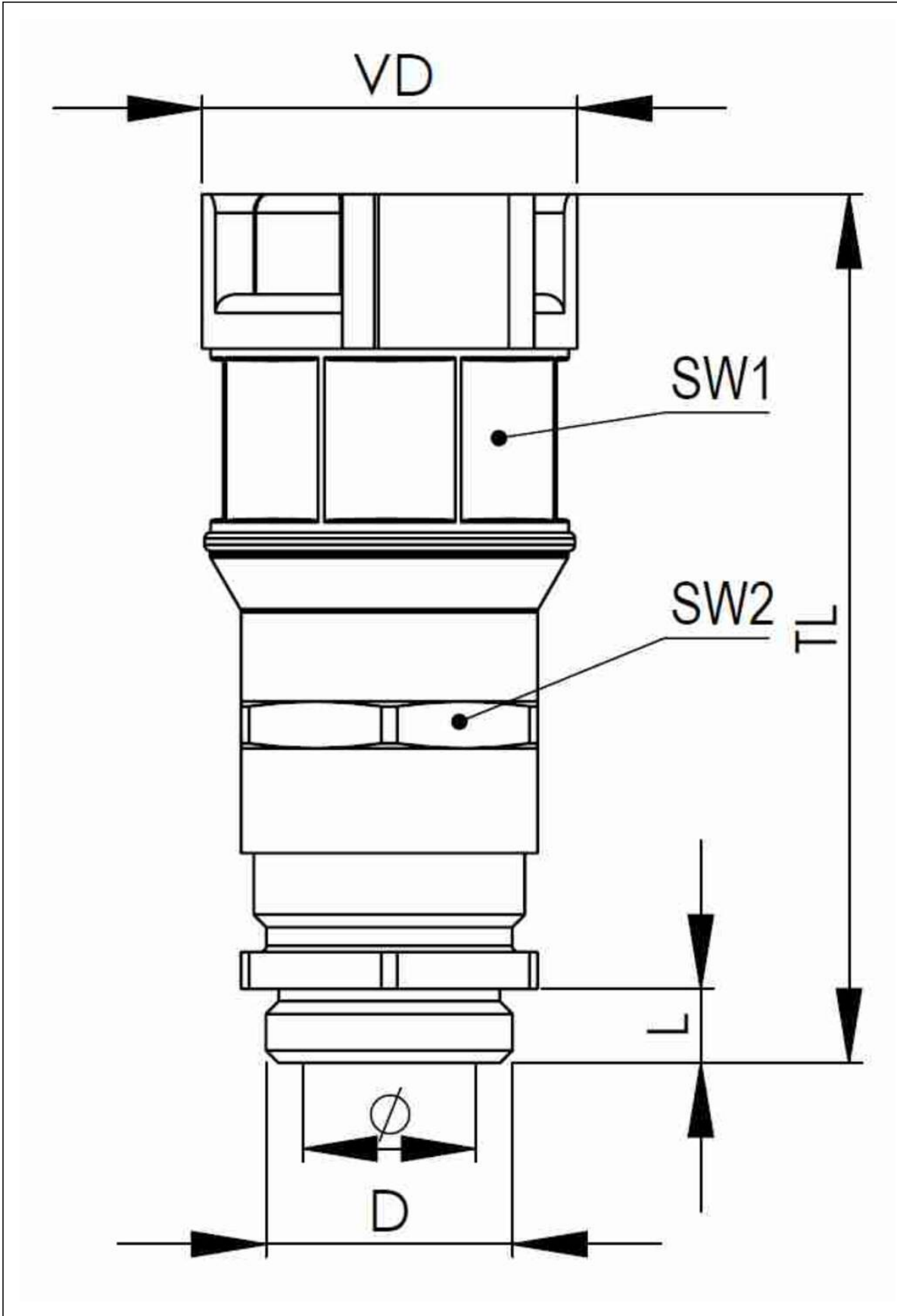
Your Contact:

**WISKA Hoppmann GmbH**

Kisdorfer Weg 28 · 24568 Kaltenkirchen · Germany

☎ +49-4191-508-0 · 📠 +49-4191-508-209

contact@wiska.de · www.wiska.com



Your Contact:

**WISKA Hoppmann GmbH**

Kisdorfer Weg 28 · 24568 Kaltenkirchen · Germany

☎ +49-4191-508-0 · 📠 +49-4191-508-209

contact@wiska.de · www.wiska.com