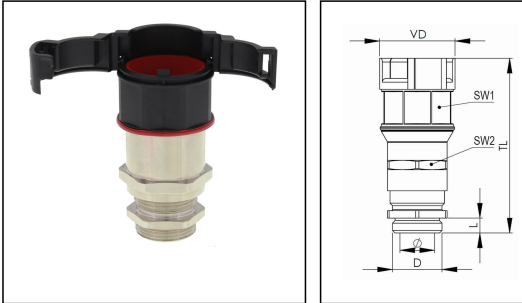


## EMBFSCG-17-20-BK

Conduit fitting with cable gland, straight, plastic/brass, RAL 9005, NW17



Products may differ in size, colour and appearance to those shown. If you require further information or customisation, please contact us directly.



Material Conduit fitting	polyamide UL94-V0
Material Connection thread	Brass nickel-plated
Material sealing gasket	TPU
Protection class	IP68, IP66
Temp. range min	-40 °C
Temp. range max	100 °C
Operational areas	EN 45545 - Railway
NW	17
Thread type	M
Ø Connection thread D	20
Lead	1,5
Length screw-in thread L	6 mm
Ø cable diameter min	6 mm
Ø cable diameter max	13 mm
Ø closure VD	33,2 mm
Ø inside	13 mm
Key width SW1	27 mm
Key width SW2	24 mm
Total length TL	65,2 mm - 69,4 mm
Type of conduit fitting	straight
Product Color	RAL 9005
Type	EMBFSCG-17-20-BK
Order no. RAL 9005	10107382
Packing unit	50
EAN number	4007686042825

Your Contact:

WISKA Hoppmann GmbH

Kisdorfer Weg 28 · 24568 Kaltenkirchen · Germany

☎ +49-4191-508-0 · 📠 +49-4191-508-209

contact@wiska.de · www.wiska.com

<b>Tariff number</b>	74122000
<b>ETIM-Classification</b>	EC001176

## Recommended accessories

<b>EMMU 20</b>	10063143
<b>BCA-S-17-BK</b>	10107075
<b>BCAV-S-17-BK</b>	10107090
<b>BCIV-S-17-BK</b>	10107107
<b>BCA-17-D-BK</b>	10107122
<b>BCAV-17-D-BK</b>	10107136
<b>BCAB-L-17-BK</b>	10109185
<b>BCAV-H-17-BK</b>	10109202
<b>BCIB-H-17-BK</b>	10109224

23.05.2026

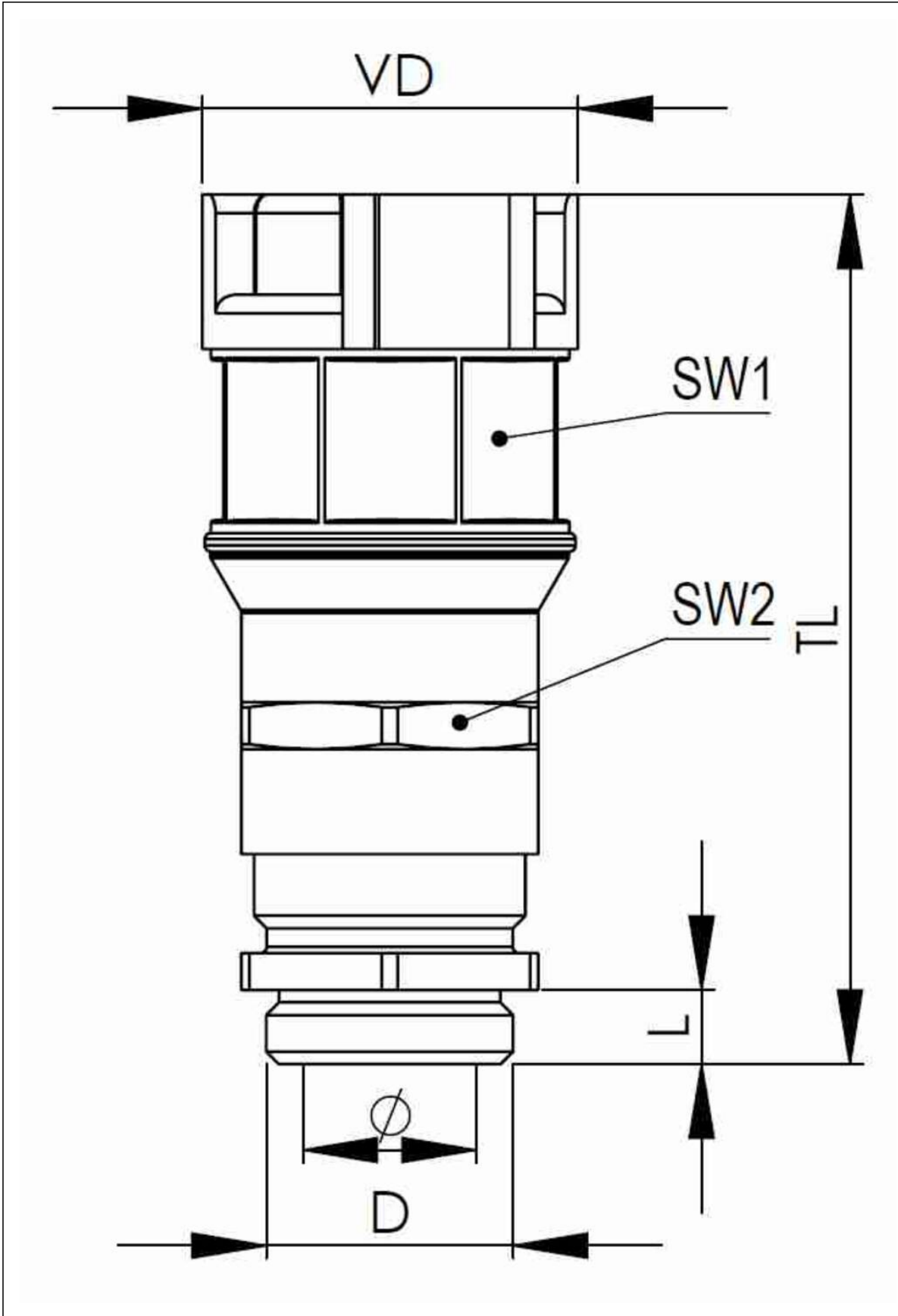
Your Contact:

**WISKA Hoppmann GmbH**

Kisdorfer Weg 28 · 24568 Kaltenkirchen · Germany

☎ +49-4191-508-0 · 📠 +49-4191-508-209

contact@wiska.de · www.wiska.com



Your Contact:

**WISKA Hoppmann GmbH**

Kisdorfer Weg 28 · 24568 Kaltenkirchen · Germany

☎ +49-4191-508-0 · 📠 +49-4191-508-209

contact@wiska.de · www.wiska.com