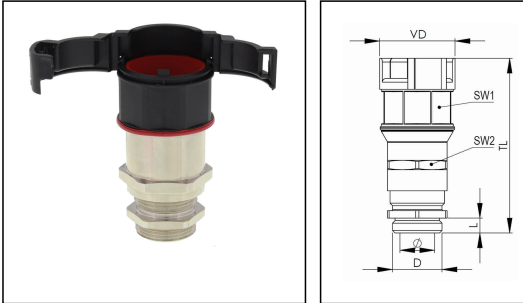


EMBFSCG-29-32-BK

Conduit fitting with cable gland, straight, plastic/brass, RAL 9005, NW29



Products may differ in size, colour and appearance to those shown. If you require further information or customisation, please contact us directly.



Material Conduit fitting	polyamide UL94-V0
Material Connection thread	Brass nickel-plated
Material sealing gasket	TPU
Protection class	IP68, IP66
Temp. range min	-40 °C
Temp. range max	100 °C
Operational areas	EN 45545 - Railway
NW	29
Thread type	M
Ø Connection thread D	32
Lead	1,5
Length screw-in thread L	8 mm
Ø cable diameter min	13 mm
Ø cable diameter max	20 mm
Ø closure VD	46,7 mm
Ø inside	21 mm
Key width SW1	41 mm
Key width SW2	36 mm
Total length TL	82,9 mm - 87,5 mm
Type of conduit fitting	straight
Product Color	RAL 9005
Type	EMBFSCG-29-32-BK
Order no. RAL 9005	10107384
Packing unit	25
EAN number	4007686042863

Your Contact:

WISKA Hoppmann GmbH

Kisdorfer Weg 28 · 24568 Kaltenkirchen · Germany

☎ +49-4191-508-0 · 📠 +49-4191-508-209

contact@wiska.de · www.wiska.com

Tariff number	74122000
ETIM-Classification	EC001176

Recommended accessories

EMMU 32	10063145
BCA-S-29-BK	10107077
BCAV-S-29-BK	10107092
BCIV-S-29-BK	10107109
BCA-29-D-BK	10107124
BCAV-29-D-BK	10107138
BCAB-L-29-BK	10109187
BCAV-H-29-BK	10109204
BCIB-H-29-BK	10109226

23.05.2026

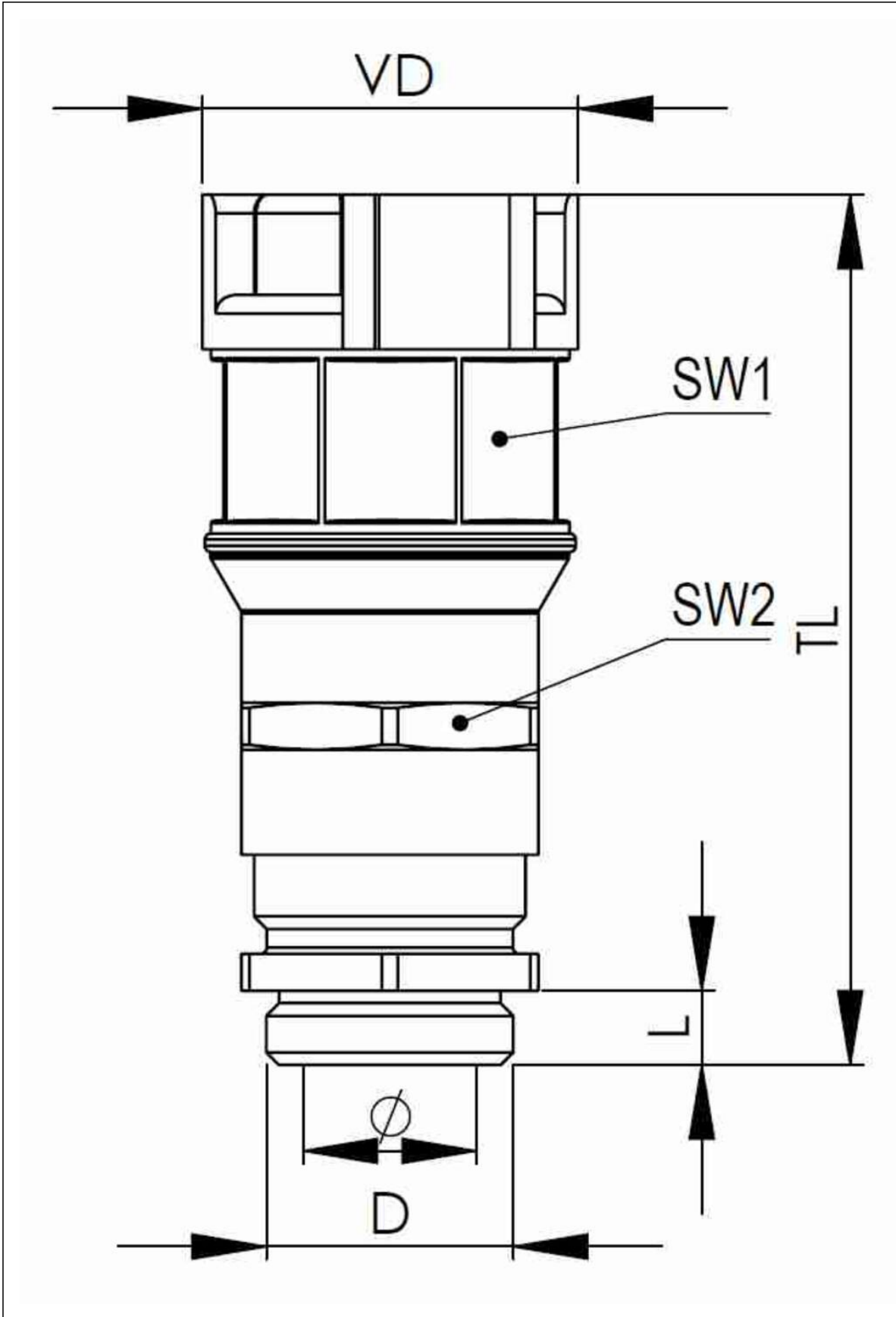
Your Contact:

WISKA Hoppmann GmbH

Kisdorfer Weg 28 · 24568 Kaltenkirchen · Germany

☎ +49-4191-508-0 · 📠 +49-4191-508-209

contact@wiska.de · www.wiska.com



Your Contact:

WISKA Hoppmann GmbH

Kisdorfer Weg 28 · 24568 Kaltenkirchen · Germany

☎ +49-4191-508-0 · 📠 +49-4191-508-209

contact@wiska.de · www.wiska.com