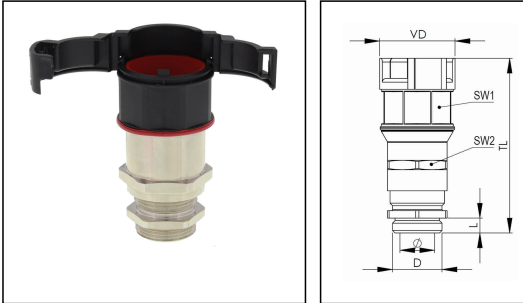


## EMBFSCG-36-40-BK

Conduit fitting with cable gland, straight, plastic/brass, RAL 9005, NW36



Products may differ in size, colour and appearance to those shown. If you require further information or customisation, please contact us directly.



<b>Material Conduit fitting</b>	polyamide UL94-V0
<b>Material Connection thread</b>	Brass nickel-plated
<b>Material sealing gasket</b>	TPU
<b>Protection class</b>	IP68, IP66
<b>Temp. range min</b>	-40 °C
<b>Temp. range max</b>	100 °C
<b>Operational areas</b>	EN 45545 - Railway
<b>NW</b>	36
<b>Thread type</b>	M
<b>Ø Connection thread D</b>	40
<b>Lead</b>	1,5
<b>Length screw-in thread L</b>	8 mm
<b>Ø cable diameter min</b>	16 mm
<b>Ø cable diameter max</b>	25 mm
<b>Ø closure VD</b>	55,7 mm
<b>Ø inside</b>	28 mm
<b>Key width SW1</b>	50 mm
<b>Key width SW2</b>	46 mm
<b>Total length TL</b>	94,8 mm - 101,2 mm
<b>Type of conduit fitting</b>	straight
<b>Product Color</b>	RAL 9005
<b>Type</b>	EMBFSCG-36-40-BK
<b>Order no. RAL 9005</b>	10107385
<b>Packing unit</b>	5
<b>EAN number</b>	4007686042887

Your Contact:

WISKA Hoppmann GmbH

Kisdorfer Weg 28 · 24568 Kaltenkirchen · Germany

☎ +49-4191-508-0 · 📠 +49-4191-508-209

contact@wiska.de · www.wiska.com

<b>Tariff number</b>	74122000
<b>ETIM-Classification</b>	EC001176

## Recommended accessories

<b>EMMU 40</b>	10063146
<b>BCA-S-36-BK</b>	10107078
<b>BCAV-S-36-BK</b>	10107093
<b>BCIV-S-36-BK</b>	10107110
<b>BCA-36-D-BK</b>	10107125
<b>BCAV-36-D-BK</b>	10107139
<b>BCAB-L-36-BK</b>	10109188
<b>BCAV-H-36-BK</b>	10109205
<b>BCIB-H-36-BK</b>	10109227

23.05.2026

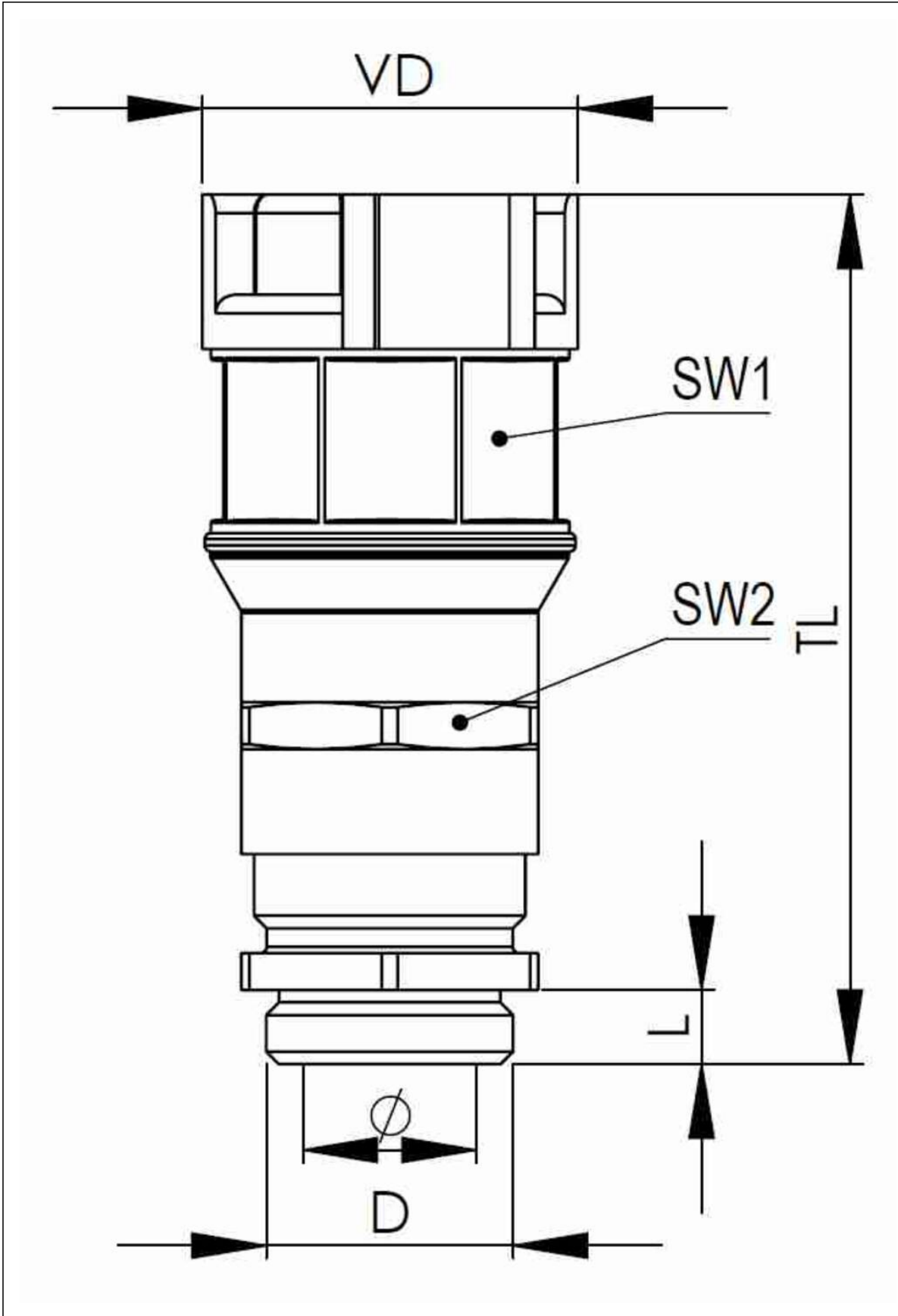
Your Contact:

**WISKA Hoppmann GmbH**

Kisdorfer Weg 28 · 24568 Kaltenkirchen · Germany

☎ +49-4191-508-0 · 📠 +49-4191-508-209

contact@wiska.de · www.wiska.com



Your Contact:

**WISKA Hoppmann GmbH**

Kisdorfer Weg 28 · 24568 Kaltenkirchen · Germany

☎ +49-4191-508-0 · 📠 +49-4191-508-209

contact@wiska.de · www.wiska.com