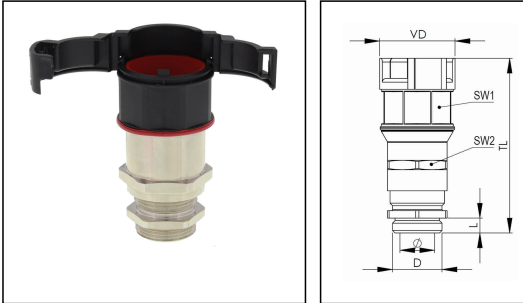


## EMBFSCG-48-50-BK

Conduit fitting with cable gland, straight, plastic/brass, RAL 9005, NW48



Products may differ in size, colour and appearance to those shown. If you require further information or customisation, please contact us directly.



<b>Material Conduit fitting</b>	polyamide UL94-V0
<b>Material Connection thread</b>	Brass nickel-plated
<b>Material sealing gasket</b>	TPU
<b>Protection class</b>	IP68, IP66
<b>Temp. range min</b>	-40 °C
<b>Temp. range max</b>	100 °C
<b>Operational areas</b>	EN 45545 - Railway
<b>NW</b>	48
<b>Thread type</b>	M
<b>Ø Connection thread D</b>	50
<b>Lead</b>	1,5
<b>Length screw-in thread L</b>	9 mm
<b>Ø cable diameter min</b>	28 mm
<b>Ø cable diameter max</b>	35 mm
<b>Ø closure VD</b>	68,1 mm
<b>Ø inside</b>	35 mm
<b>Key width SW1</b>	60 mm
<b>Key width SW2</b>	55 mm
<b>Total length TL</b>	106,1 mm - 110,1 mm
<b>Type of conduit fitting</b>	straight
<b>Product Color</b>	RAL 9005
<b>Type</b>	EMBFSCG-48-50-BK
<b>Order no. RAL 9005</b>	10107386
<b>Packing unit</b>	5
<b>EAN number</b>	4007686042900

Your Contact:

WISKA Hoppmann GmbH

Kisdorfer Weg 28 · 24568 Kaltenkirchen · Germany

☎ +49-4191-508-0 · 📠 +49-4191-508-209

contact@wiska.de · www.wiska.com

<b>Tariff number</b>	74122000
<b>ETIM-Classification</b>	EC001176

## Recommended accessories

<b>EMMU 50</b>	10063147
<b>BCAV-S-48-BK</b>	10107094
<b>BCIV-S-48-BK</b>	10107111
<b>BCA-48-D-BK</b>	10107126
<b>BCAV-48-D-BK</b>	10107140
<b>BCA-S-48-BK</b>	10109176
<b>BCAB-L-48-BK</b>	10109189
<b>BCAV-H-48-BK</b>	10109206
<b>BCIB-H-48-BK</b>	10109228

23.05.2026

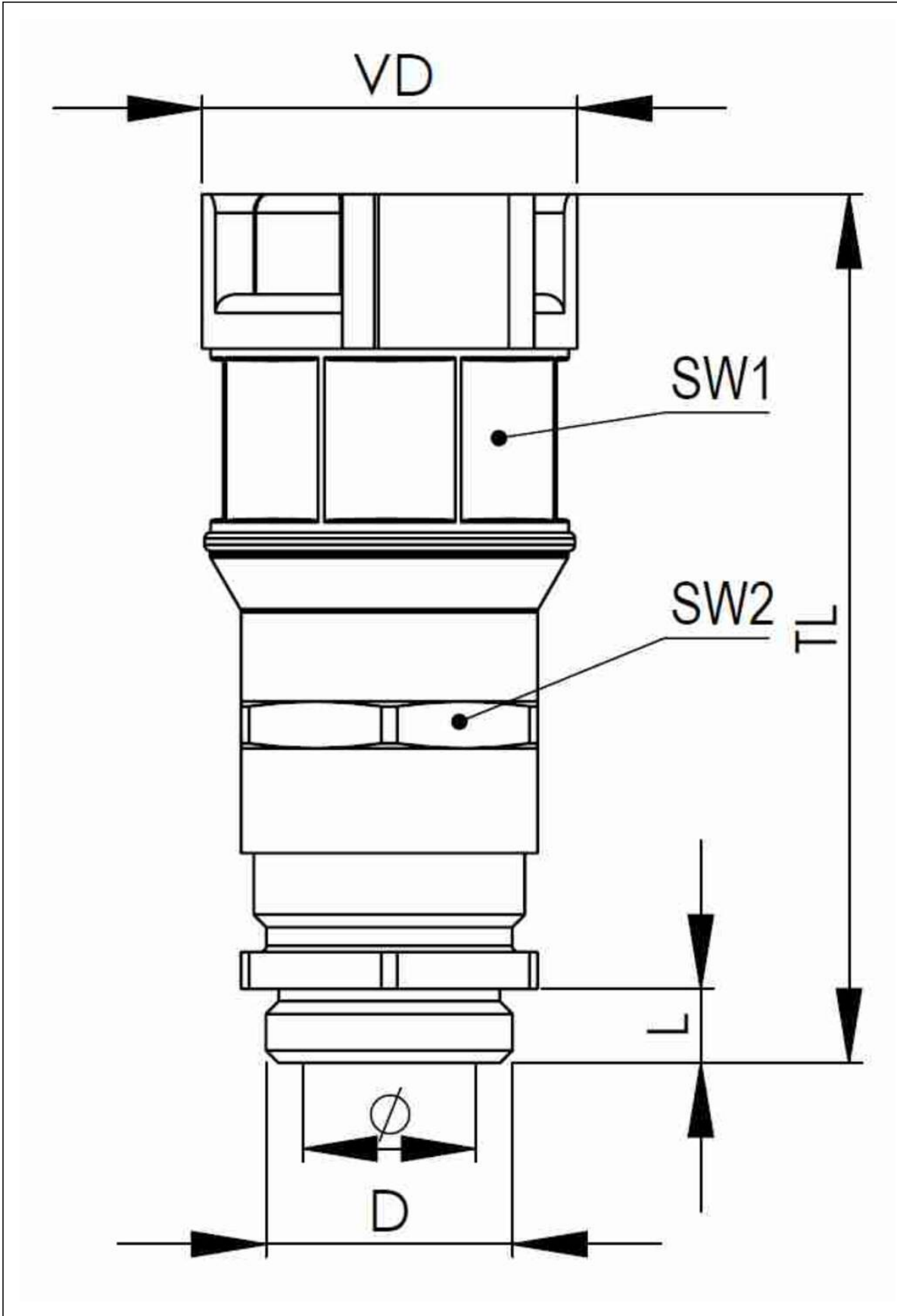
Your Contact:

**WISKA Hoppmann GmbH**

Kisdorfer Weg 28 · 24568 Kaltenkirchen · Germany

☎ +49-4191-508-0 · 📠 +49-4191-508-209

contact@wiska.de · www.wiska.com



Your Contact:

**WISKA Hoppmann GmbH**

Kisdorfer Weg 28 · 24568 Kaltenkirchen · Germany

☎ +49-4191-508-0 · 📠 +49-4191-508-209

contact@wiska.de · www.wiska.com