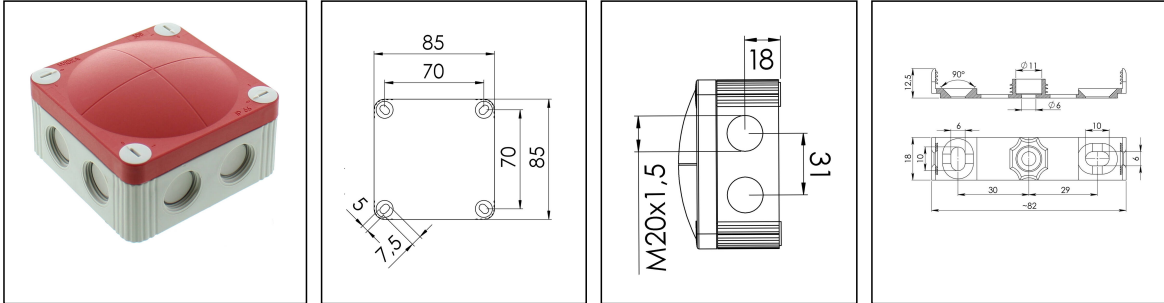


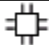
## COMBI 308/5 LG RD

Junction box 85x85x51mm, polypropylene, RAL 7035, RAL 3000, with terminal block



Products may differ in size, colour and appearance to those shown. If you require further information or customisation, please contact us directly.



<b>Material</b>	Polypropylene
<b>Material sealing gasket</b>	TPE
<b>Temp. range min</b>	-30 °C
<b>Temp. range max</b>	100 °C
<b>Temperatures during install.</b>	-5 °C - 60 °C
<b>Protection class</b>	IP66 / IP67
<b>Glow wire test</b>	750 °C
<b>Voltage</b>	400 V
<b>Rated current / A (Terminal)</b>	32 A
<b>Rated cross section</b>	4 mm <sup>2</sup>
<b>Terminals/poles</b>	5-pole, 4,0 mm <sup>2</sup>
<b>Fixing</b>	4 internal openings
<b>Ø cable diameter min</b>	3 mm
<b>Ø cable diameter max</b>	12 mm
<b>External dimensions LxWxH</b>	85 x 85 x 51mm
<b>Type of cable gland</b>	M 20 x 1,5
<b>Using for cable gland</b>	
<b>Product Color</b>	RAL 7035 / RAL 3000
<b>WISKA-Order no.</b>	10107390
<b>Type</b>	COMBI 308/5 LG RD
<b>Packing unit</b>	5
<b>ETIM-Classification</b>	EC002600
<b>EAN number</b>	4007686043075
<b>Tariff number</b>	85369010

Remarks:

Your Contact:

WISKA Hoppmann GmbH  
Kisdorfer Weg 28 · 24568 Kaltenkirchen · Germany  
☎ +49-4191-508-0 · 📠 +49-4191-508-209  
contact@wiska.de · www.wiska.com

**IP66:** using the membrane entry

**IP67:** using the threaded entry together with ESKV cable gland

**Equipment:**

- 8 M20 threaded membrane entries
- 4 captive cover screws
- including mounting clip
- including terminal block 5-poles, 4mm<sup>2</sup>
- Colour casing: RAL 7035 (grey)
- Colour lid: RAL 3000 (red)

**Fixing:**

With mounting clip or 4 internal openings outside of the sealing area

**Recommended accessories**

<b>MP-S Mounting plate small</b>	10105774
<b>MP-L Mounting plate large COMBI / WHK</b>	10105775
<b>External mounting - COMBI LG</b>	10108836
<b>ZER 4-12 LG</b>	10109800

**Spare parts**

<b>SP-HKT 11/5 Terminal block</b>	22001132
-----------------------------------	----------

12.05.2026

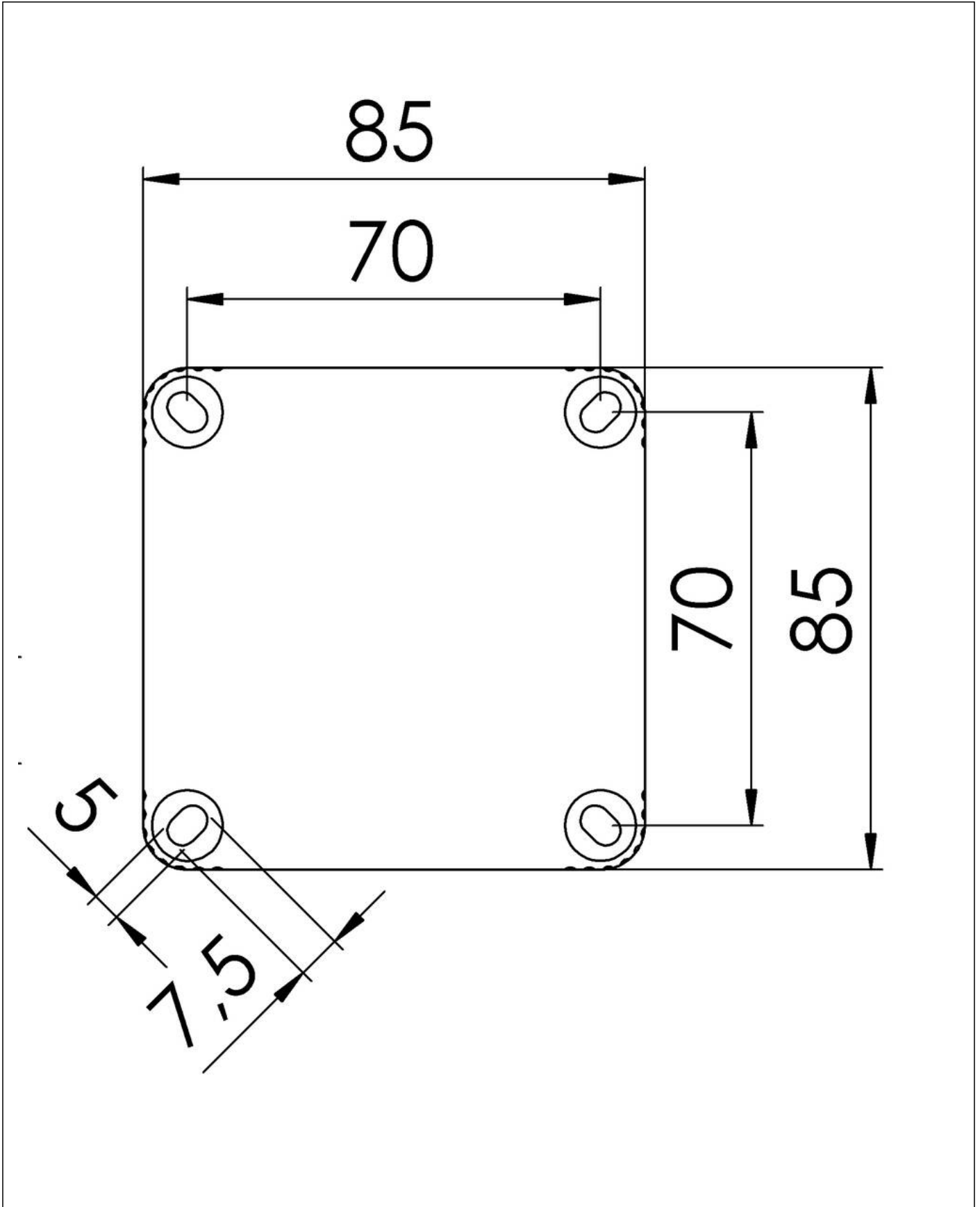
Your Contact:

**WISKA Hoppmann GmbH**

Kisdorfer Weg 28 · 24568 Kaltenkirchen · Germany

☎ +49-4191-508-0 · 📠 +49-4191-508-209

contact@wiska.de · www.wiska.com



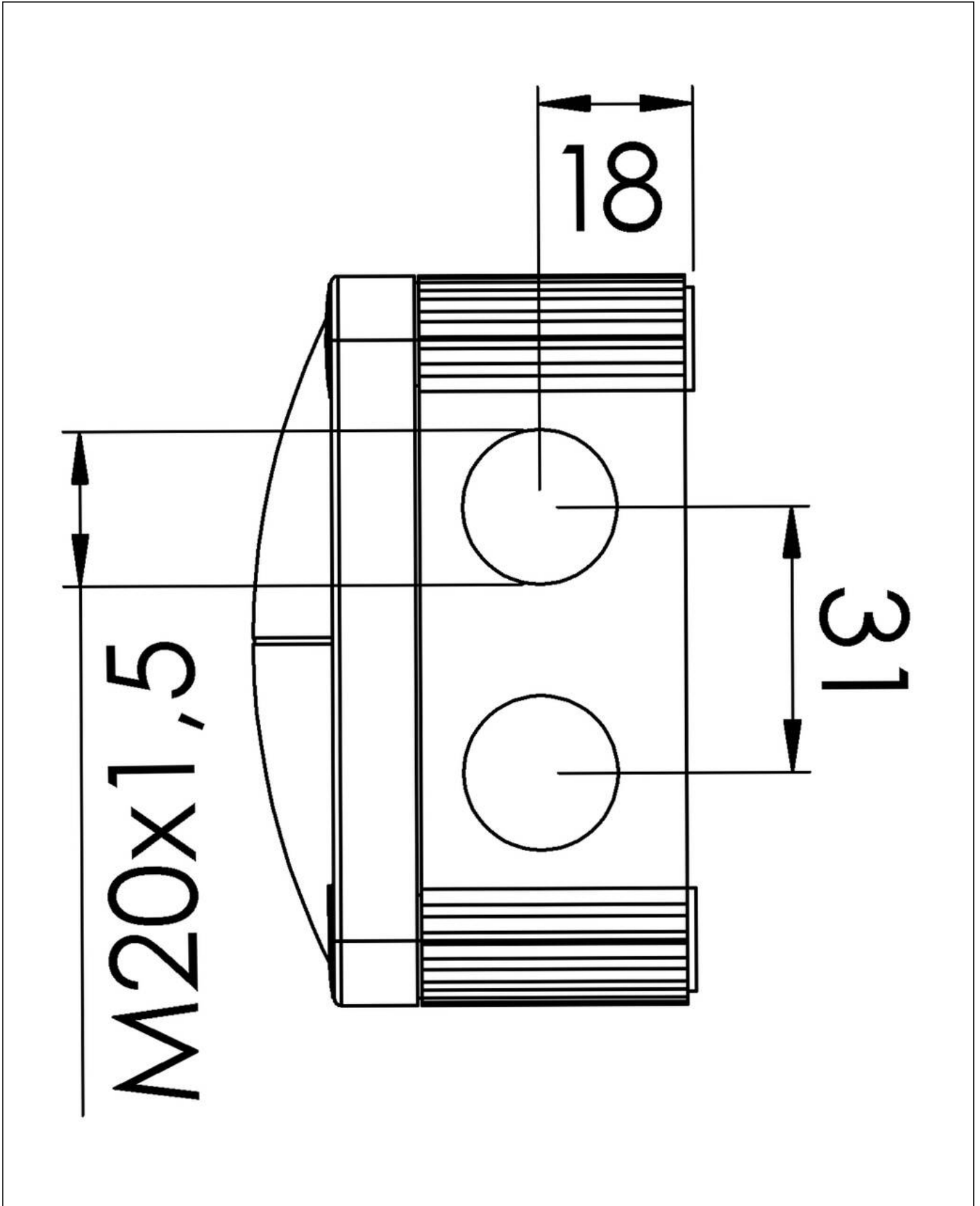
Your Contact:

**WISKA Hoppmann GmbH**

Kisdorfer Weg 28 · 24568 Kaltenkirchen · Germany

☎ +49-4191-508-0 · 📠 +49-4191-508-209

contact@wiska.de · www.wiska.com



Your Contact:

**WISKA Hoppmann GmbH**

Kisdorfer Weg 28 · 24568 Kaltenkirchen · Germany

☎ +49-4191-508-0 · 📠 +49-4191-508-209

contact@wiska.de · www.wiska.com