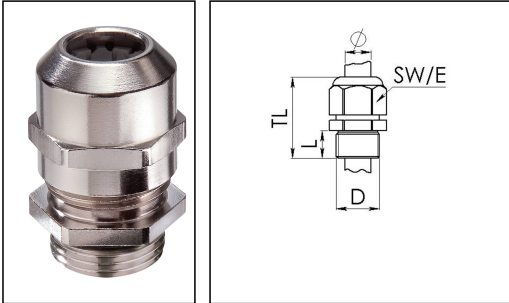


## PMSKV 11-16 LT

Cable gland, LowTemp, brass nickel-plated, Pg 11



Products may differ in size, colour and appearance to those shown. If you require further information or customisation, please contact us directly.



<b>Material cable gland</b>	Brass nickel-plated
<b>Material clamping cage</b>	Polyamide
<b>Material sealing gasket</b>	Silicone
<b>Temp. range min</b>	-60 °C
<b>Temp. range max</b>	100 °C
<b>Protection class</b>	IP69, IP68 (5 bar 30 min)
<b>Thread type</b>	PG
<b>Ø Connection thread D</b>	11
<b>Length screw-in thread L</b>	6 mm
<b>Ø cable diameter min</b>	4,5 mm
<b>Ø cable diameter max</b>	10 mm
<b>Key width SW</b>	22 mm
<b>Collar diameter (E)</b>	24 mm
<b>Total length TL</b>	27 mm - 35 mm
<b>Type of cable anchorage</b>	A
<b>Install. torques fitting</b>	4 N m
<b>Install. torques cap nut</b>	7,5 N m
<b>Impact category</b>	6
<b>Surface</b>	Nickel-plated
<b>Order no. nickel-plated</b>	10107524
<b>Packing unit</b>	50
<b>Type</b>	PMSKV 11-16 LT
<b>Tariff number</b>	74198090
<b>EAN number</b>	4007686045703
<b>ETIM-Classification</b>	EC000441

Your Contact:

WISKA Hoppmann GmbH

Kisdorfer Weg 28 · 24568 Kaltenkirchen · Germany

☎ +49-4191-508-0 · 📠 +49-4191-508-209

contact@wiska.de · www.wiska.com

**Recommended accessories**

**MMU 11**

10062143

23.05.2026

Your Contact:

**WISKA Hoppmann GmbH**

Kisdorfer Weg 28 · 24568 Kaltenkirchen · Germany

 +49-4191-508-0 ·  +49-4191-508-209

[contact@wiska.de](mailto:contact@wiska.de) · [www.wiska.com](http://www.wiska.com)



Your Contact:

**WISKA Hoppmann GmbH**

Kisdorfer Weg 28 · 24568 Kaltenkirchen · Germany

☎ +49-4191-508-0 · 📠 +49-4191-508-209

contact@wiska.de · www.wiska.com