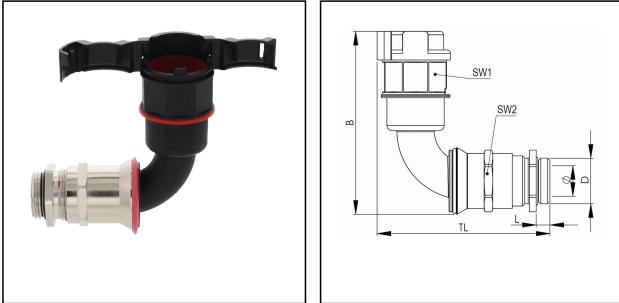


EMBF90CG-17-20-BK

Conduit fitting with cable gland, 90° angle, plastic/brass, RAL 9005, NW17



Products may differ in size, colour and appearance to those shown. If you require further information or customisation, please contact us directly.



| | |
|----------------------------|---------------------|
| Material Conduit fitting | polyamide UL94-V0 |
| Material Connection thread | Brass nickel-plated |
| Material sealing gasket | TPU |
| Protection class | IP68, IP66 |
| Temp. range min | -40 °C |
| Temp. range max | 100 °C |
| Operational areas | EN 45545 - Railway |
| NW | 17 |
| Thread type | M |
| Ø Connection thread D | 20 |
| Lead | 1,5 |
| Length screw-in thread L | 6 mm |
| Ø closure VD | 30,4 mm |
| Ø inside | 13 mm |
| Key width SW1 | 27 mm |
| Key width SW2 | 24 mm |
| Width B | 79,8 mm |
| Total length TL | 75,3 mm - 83,3 mm |
| Type of conduit fitting | 90° Angle |
| Product Color | RAL 9005 |
| Type | EMBF90CG-17-20-BK |
| Order no. RAL 9005 | 10108008 |
| Packing unit | 50 |
| EAN number | 4007686055160 |
| Tariff number | 74122000 |

Your Contact:

WISKA Hoppmann GmbH

Kisdorfer Weg 28 · 24568 Kaltenkirchen · Germany

☎ +49-4191-508-0 · 📠 +49-4191-508-209

contact@wiska.de · www.wiska.com

ETIM-Classification

EC001176

Recommended accessories

| | |
|---------------------|----------|
| EMMU 20 | 10063143 |
| BCA-S-17-BK | 10107075 |
| BCAV-S-17-BK | 10107090 |
| BCIV-S-17-BK | 10107107 |
| BCA-17-D-BK | 10107122 |
| BCAV-17-D-BK | 10107136 |
| BCAB-L-17-BK | 10109185 |
| BCAV-H-17-BK | 10109202 |
| BCIB-H-17-BK | 10109224 |

23.05.2026

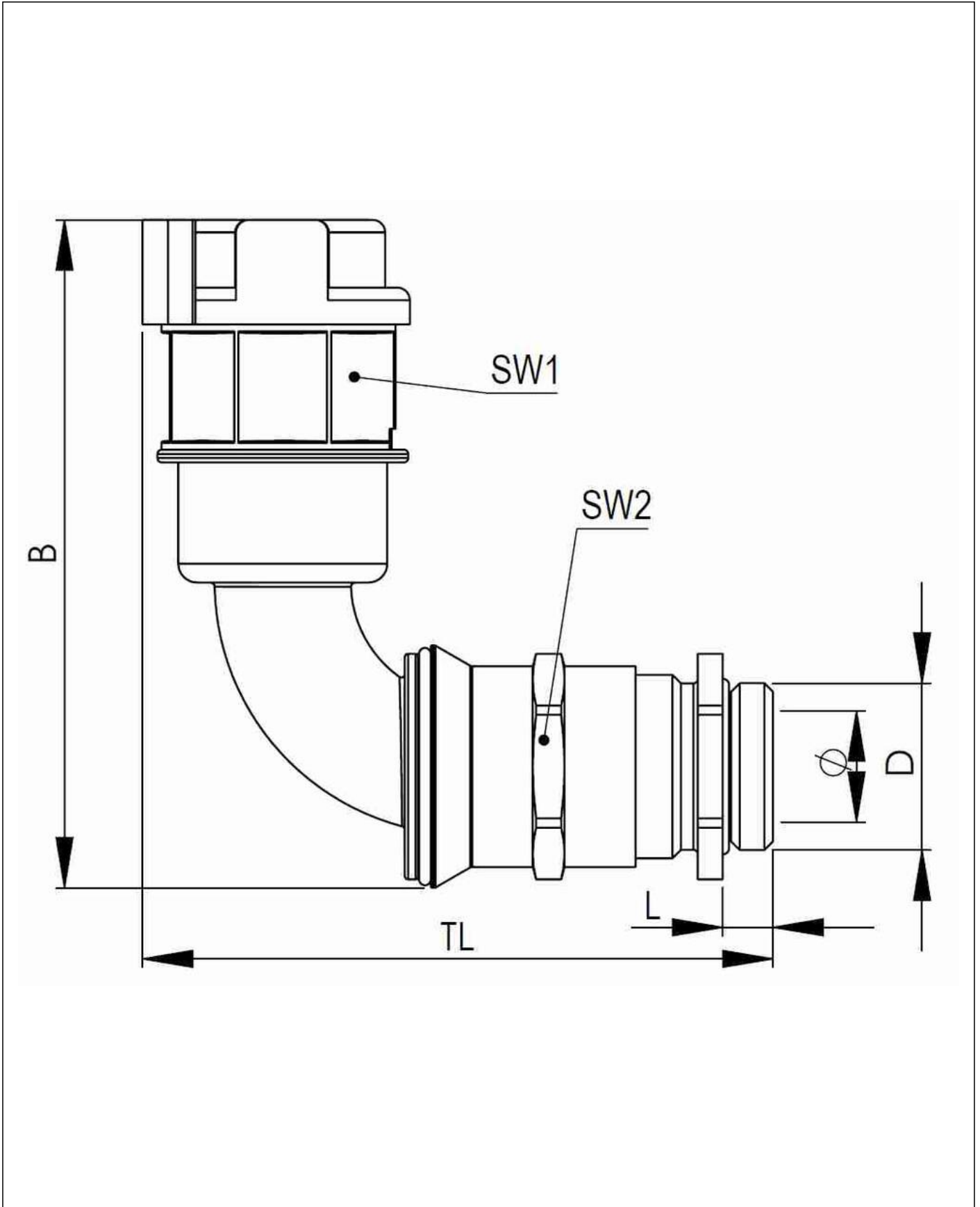
Your Contact:

WISKA Hoppmann GmbH

Kisdorfer Weg 28 · 24568 Kaltenkirchen · Germany

☎ +49-4191-508-0 · 📠 +49-4191-508-209

contact@wiska.de · www.wiska.com



Your Contact:

WISKA Hoppmann GmbH

Kisdorfer Weg 28 · 24568 Kaltenkirchen · Germany

☎ +49-4191-508-0 · 📠 +49-4191-508-209

contact@wiska.de · www.wiska.com