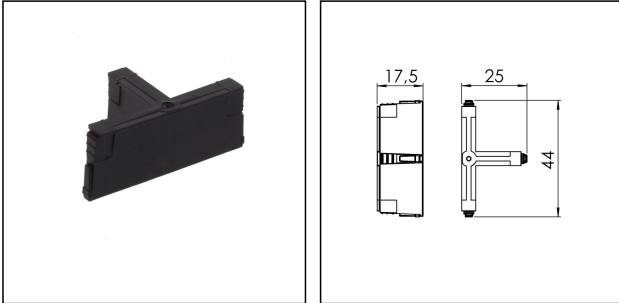


## CGT V0 BK

Grid, T-form, plastic, black



Products may differ in size, colour and appearance to those shown. If you require further information or customisation, please contact us directly.



<b>Material</b>	Polyamide UL94-V0
<b>Material sealing gasket</b>	TPE
<b>Temp. range min</b>	-40 °C
<b>Temp. range max</b>	120 °C
<b>Protection class</b>	IP66
<b>Product Color</b>	RAL 9005
<b>Type</b>	CGT V0 BK
<b>Order no. RAL 9005</b>	10108189
<b>Packing unit</b>	1
<b>EAN number</b>	4007686058529
<b>Tariff number</b>	39269097
<b>ETIM-Classification</b>	EC000441

23.05.2026

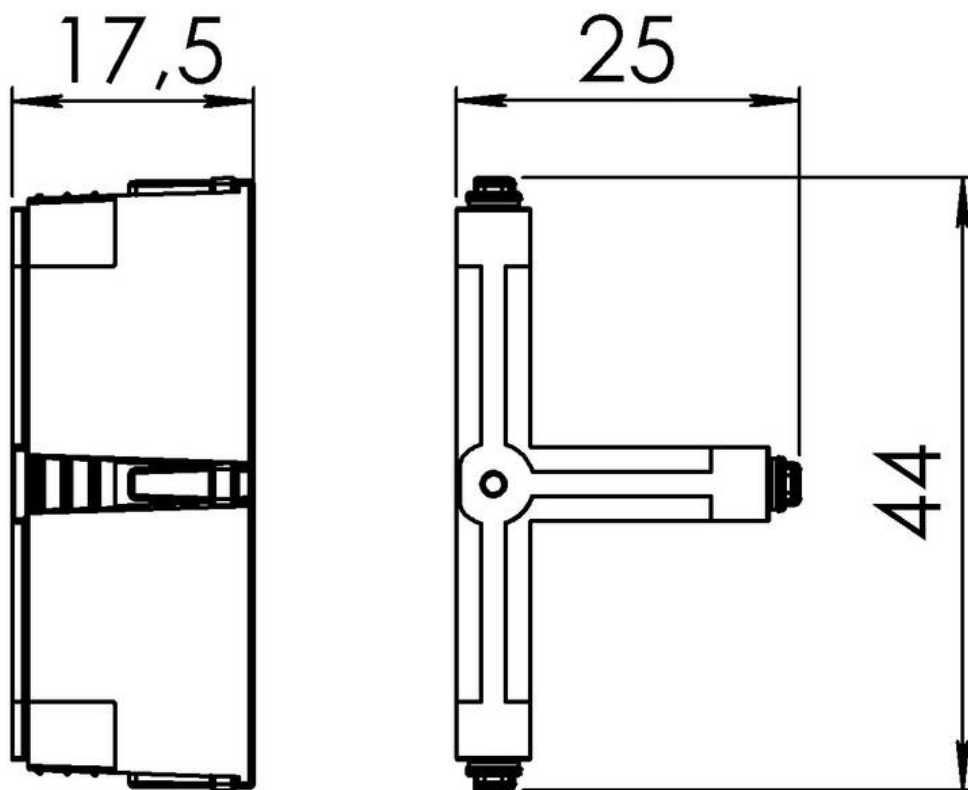
Your Contact:

**WISKA Hoppmann GmbH**

Kisdorfer Weg 28 · 24568 Kaltenkirchen · Germany

☎ +49-4191-508-0 · 📠 +49-4191-508-209

contact@wiska.de · www.wiska.com



Your Contact:

**WISKA Hoppmann GmbH**

Kisdorfer Weg 28 · 24568 Kaltenkirchen · Germany

☎ +49-4191-508-0 · 📠 +49-4191-508-209

contact@wiska.de · www.wiska.com