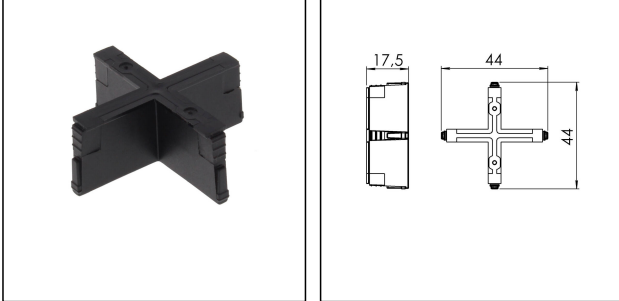


CGX V0 BK

Cross grid, plastic, black



Products may differ in size, colour and appearance to those shown. If you require further information or customisation, please contact us directly.



Material	Polyamide UL94-V0
Material sealing gasket	TPE
Temp. range min	-40 °C
Temp. range max	120 °C
Protection class	IP66
Product Color	RAL 9005
Type	CGX V0 BK
Order no. RAL 9005	10108190
Packing unit	1
EAN number	4007686058543
Tariff number	39269097
ETIM-Classification	EC000441

23.05.2026

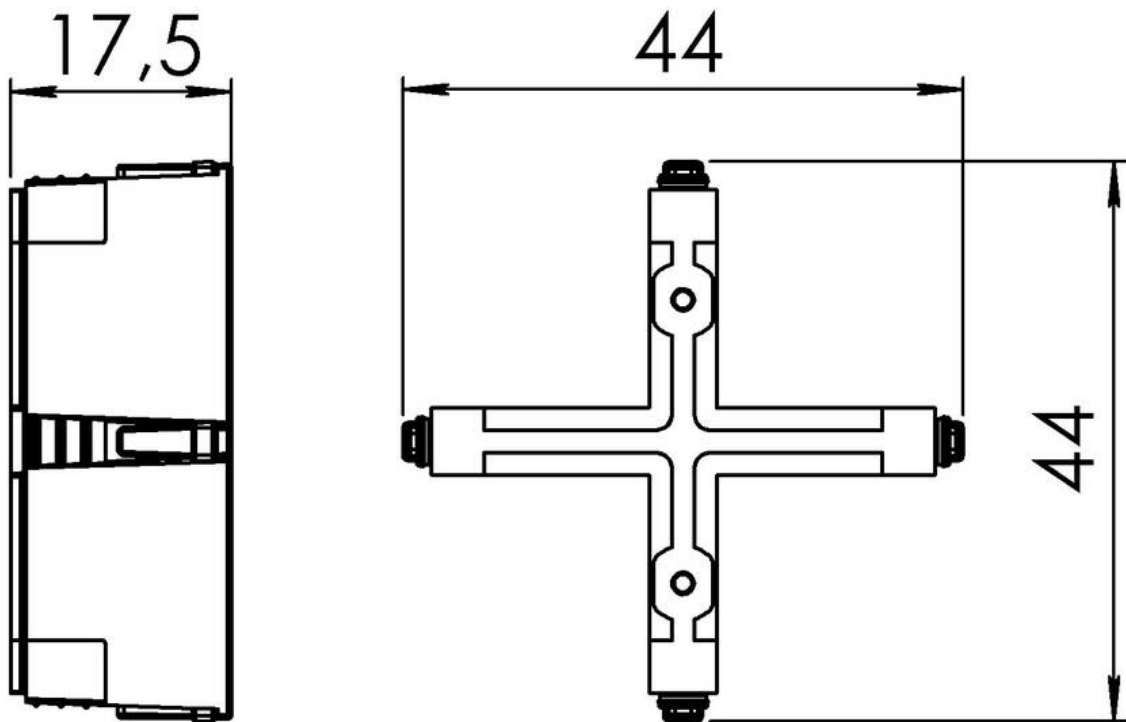
Your Contact:

WISKA Hoppmann GmbH

Kisdorfer Weg 28 · 24568 Kaltenkirchen · Germany

☎ +49-4191-508-0 · 📠 +49-4191-508-209

contact@wiska.de · www.wiska.com



Your Contact:

WISKA Hoppmann GmbH

Kisdorfer Weg 28 · 24568 Kaltenkirchen · Germany

☎ +49-4191-508-0 · 📠 +49-4191-508-209

contact@wiska.de · www.wiska.com