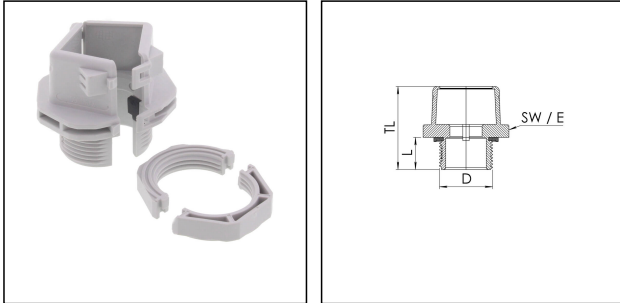


CKM 50 V0 LG

CONMAXX divided gland with locknut, polyamide, RAL 7035, M50



Products may differ in size, colour and appearance to those shown. If you require further information or customisation, please contact us directly.



Material cable gland	polyamide UL94-V0
Material sealing gasket	TPE UL94-V0
Protection class	IP66
Temp. range min	-40 °C
Temp. range max	100 °C
Thread type	M
Ø Connection thread D	50
Lead	1,5
Length screw-in thread L	15 mm
Key width SW	68 mm
Collar diameter (E)	72 mm
Total length TL	40 mm
Product Color	RAL 7035
Equipment	incl. locknut
Type	CKM 50 V0 LG
Order no. RAL 7035	10108667
Packing unit	1
EAN number	4007686067767
Tariff number	39269097
ETIM-Classification	EC000441

Remarks:

- inclusive divided locknut
- suitable sealing inserts: CDGG or 1x CGX + 4x CDKG
- if using the cross grid CGX, then are only the small sealing elements CDKG with clamping range max. 10mm suitable

Your Contact:

WISKA Hoppmann GmbH
 Kisdorfer Weg 28 · 24568 Kaltenkirchen · Germany
 ☎ +49-4191-508-0 · 📠 +49-4191-508-209
 contact@wiska.de · www.wiska.com

Recommended accessories

CGX V0 BK

10108190

23.05.2026

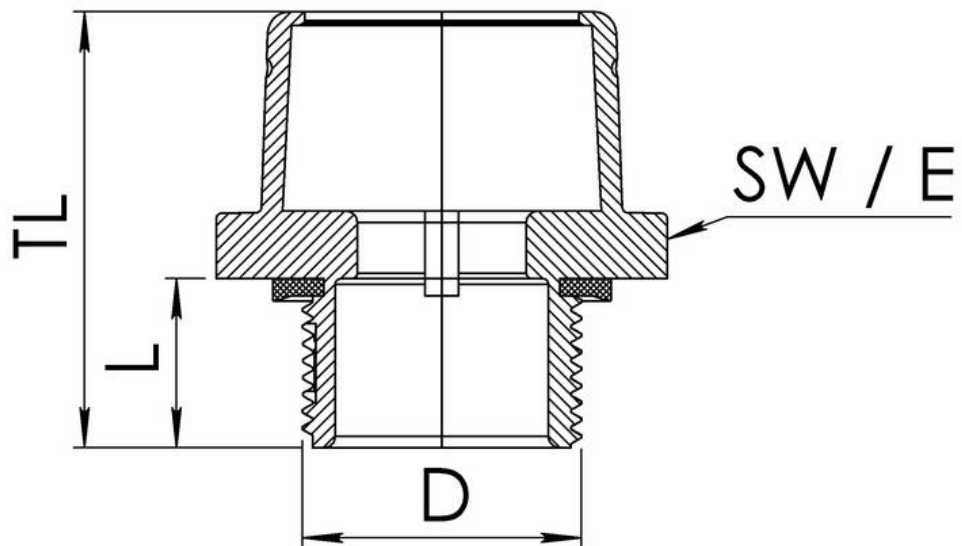
Your Contact:

WISKA Hoppmann GmbH

Kisdorfer Weg 28 · 24568 Kaltenkirchen · Germany

☎ +49-4191-508-0 · 📠 +49-4191-508-209

contact@wiska.de · www.wiska.com



Your Contact:

WISKA Hoppmann GmbH

Kisdorfer Weg 28 · 24568 Kaltenkirchen · Germany

☎ +49-4191-508-0 · 📠 +49-4191-508-209

contact@wiska.de · www.wiska.com