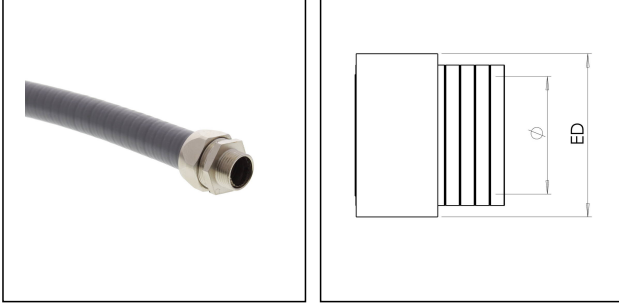


## BMCG-PVC-S-40-LG

Conduit, galvanized steel, PVC coated, smooth, RAL 7035, NW40



Products may differ in size, colour and appearance to those shown. If you require further information or customisation, please contact us directly.



<b>Material</b>	galvanized steel
<b>Sheathing material 1st coating</b>	PVC
<b>Surface</b>	smooth
<b>Product Color</b>	RAL 7005
<b>Protection class</b>	IP67
<b>Temp. range min</b>	-15 °C
<b>Temp. range max</b>	80 °C
<b>Operational areas</b>	Mechanical plant engineering
<b>NW</b>	40
<b>External diameter ED</b>	48 mm
<b>Ø inside</b>	39,5 mm
<b>Bending radius R</b>	200 mm
<b>Type</b>	BMCG-PVC-S-40-LG
<b>WISKA-Order no.</b>	10109037
<b>Packing unit</b>	25 m
<b>EAN number</b>	4007686079692
<b>Tariff number</b>	83071000
<b>ETIM-Classification</b>	EC001179

### Recommended accessories

<b>EMBMFS-S-40-40</b>	10109113
<b>EMBMFS-S-40-50</b>	10109115

23.05.2026

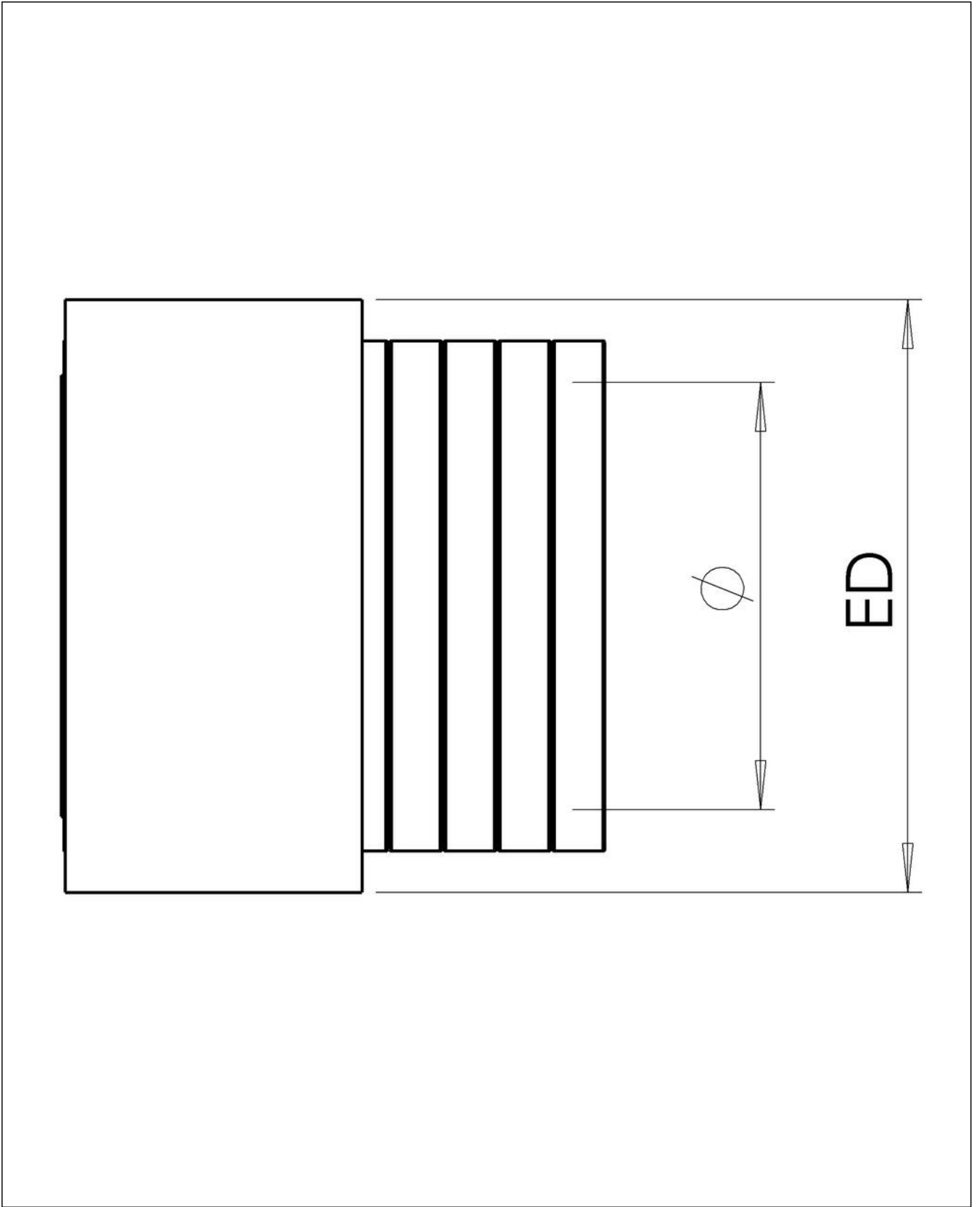
Your Contact:

**WISKA Hoppmann GmbH**

Kisdorfer Weg 28 · 24568 Kaltenkirchen · Germany

☎ +49-4191-508-0 · 📠 +49-4191-508-209

contact@wiska.de · www.wiska.com



Your Contact:  
**WISKA Hoppmann GmbH**  
Kisdorfer Weg 28 · 24568 Kaltenkirchen · Germany  
☎ +49-4191-508-0 · 📠 +49-4191-508-209  
contact@wiska.de · www.wiska.com