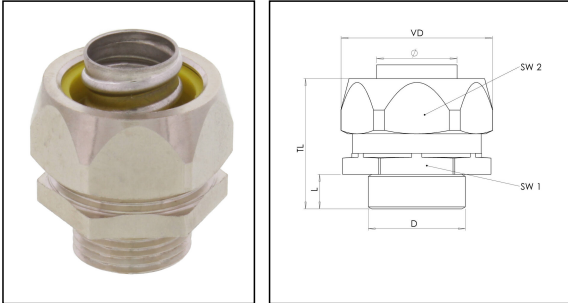


## EMBMFS-C-12-16

Metal Conduit fitting brass nickel-plated, NW12/M16, corrugated



Products may differ in size, colour and appearance to those shown. If you require further information or customisation, please contact us directly.



<b>Material Conduit fitting</b>	Brass nickel-plated
<b>Material sealing gasket</b>	PA
<b>Protection class</b>	IP67
<b>Temp. range min</b>	-45 °C
<b>Temp. range max</b>	145 °C
<b>Operational areas</b>	Railway technology
<b>NW</b>	12
<b>Thread type</b>	M
<b>Ø Connection thread D</b>	16
<b>Lead</b>	1,5
<b>Length screw-in thread L</b>	9 mm
<b>Ø closure VD</b>	29 mm
<b>Ø inside</b>	12 mm
<b>Key width SW1</b>	24 mm
<b>Key width SW2</b>	26 mm
<b>Total length TL</b>	33,5 mm
<b>Using for Conduit</b>	corrugated
<b>Torque nozzle</b>	4 N m
<b>Torque cap nut</b>	4 N m
<b>Type</b>	EMBMFS-C-12-16
<b>WISKA-Order no.</b>	10109092
<b>Packing unit</b>	5
<b>EAN number</b>	4007686080797
<b>Tariff number</b>	74122000
<b>ETIM-Classification</b>	EC001180

Your Contact:

WISKA Hoppmann GmbH

Kisdorfer Weg 28 · 24568 Kaltenkirchen · Germany

☎ +49-4191-508-0 · 📠 +49-4191-508-209

contact@wiska.de · www.wiska.com

**Recommended accessories**



<b>BMCG-PVC-C-12-BK</b>	10109008
<b>BMCG-PVC-C-12-LG</b>	10109016
<b>BMCG-PU-C-12-BK</b>	10109056
<b>BMCG-PU-C-12-BL</b>	10109064
<b>BMCG-PU-C-12-LG</b>	10109072
<b>BMCG-PVC-C-BG-12</b>	10109080

23.05.2026

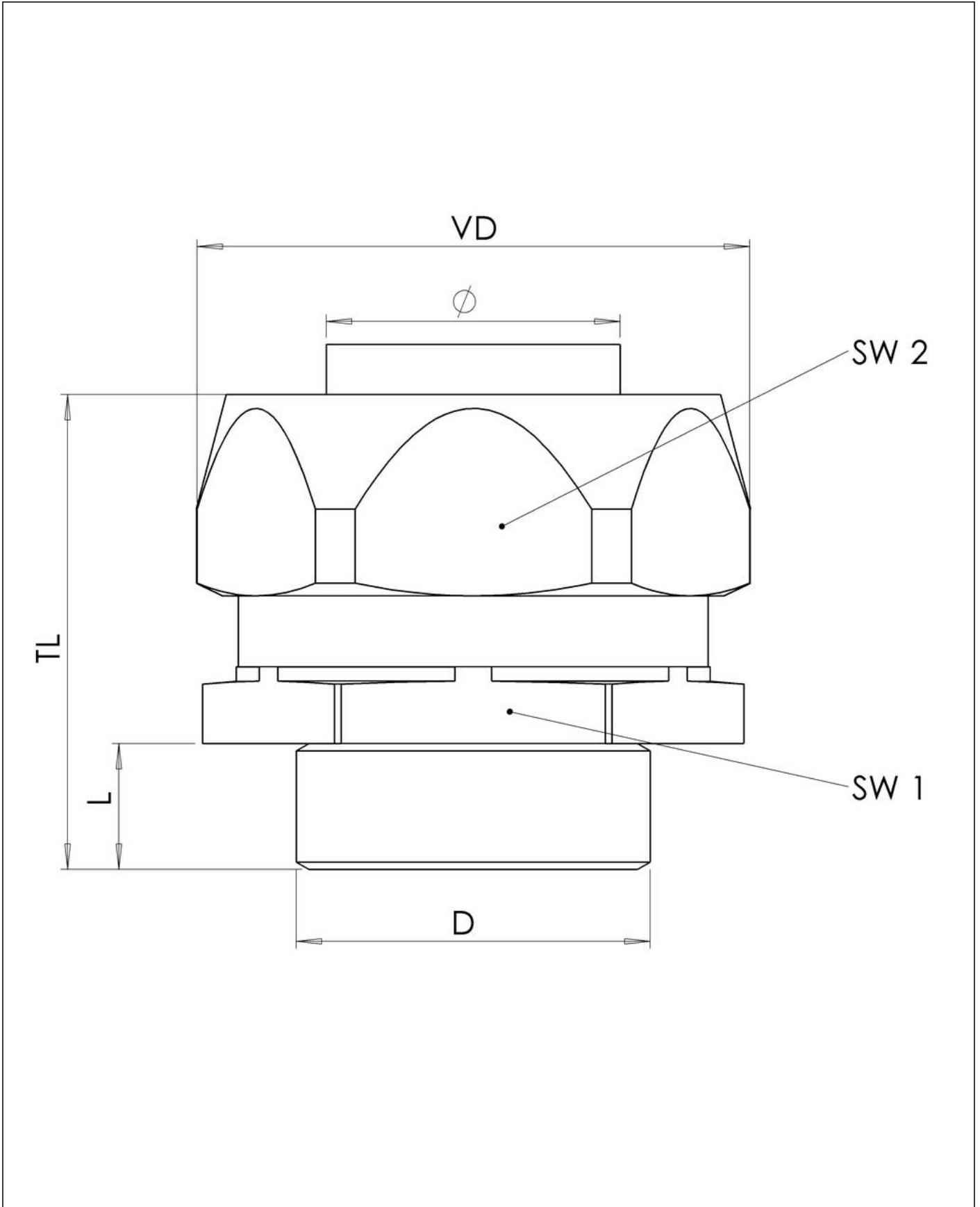
Your Contact:

**WISKA Hoppmann GmbH**

Kisdorfer Weg 28 · 24568 Kaltenkirchen · Germany

 +49-4191-508-0 ·  +49-4191-508-209

contact@wiska.de · www.wiska.com



Your Contact:

**WISKA Hoppmann GmbH**

Kisdorfer Weg 28 · 24568 Kaltenkirchen · Germany

☎ +49-4191-508-0 · 📠 +49-4191-508-209

contact@wiska.de · www.wiska.com