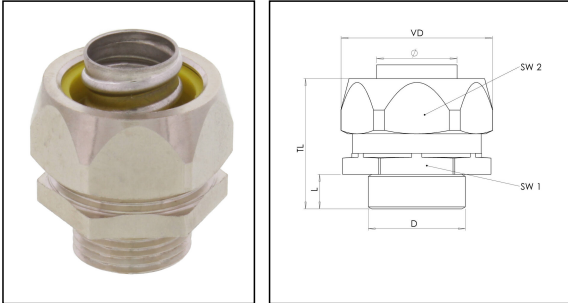


EMBMFS-C-21-25

Metal Conduit fitting brass nickel-plated, NW21/M25, corrugated



Products may differ in size, colour and appearance to those shown. If you require further information or customisation, please contact us directly.



Material Conduit fitting	Brass nickel-plated
Material sealing gasket	PA
Protection class	IP67
Temp. range min	-45 °C
Temp. range max	145 °C
Operational areas	Railway technology
NW	21
Thread type	M
Ø Connection thread D	25
Lead	1,5
Length screw-in thread L	9 mm
Ø closure VD	33 mm
Ø inside	20,5 mm
Key width SW1	33 mm
Key width SW2	35 mm
Total length TL	36,8 mm
Using for Conduit	corrugated
Type	EMBMFS-C-21-25
WISKA-Order no.	10109104
Packing unit	5
EAN number	4007686081039
Tariff number	74122000
ETIM-Classification	EC001180

Your Contact:

WISKA Hoppmann GmbH

Kisdorfer Weg 28 · 24568 Kaltenkirchen · Germany

☎ +49-4191-508-0 · 📠 +49-4191-508-209

contact@wiska.de · www.wiska.com

Recommended accessories

BMCG-PVC-C-21-BK	10109010
BMCG-PVC-C-21-LG	10109018
BMCG-PU-C-21-BK	10109058
BMCG-PU-C-21-BL	10109066
BMCG-PU-C-21-LG	10109074
BMCG-PVC-C-BG-21	10109082

23.05.2026

Your Contact:

WISKA Hoppmann GmbH

Kisdorfer Weg 28 · 24568 Kaltenkirchen · Germany

☎ +49-4191-508-0 · 📠 +49-4191-508-209

contact@wiska.de · www.wiska.com

