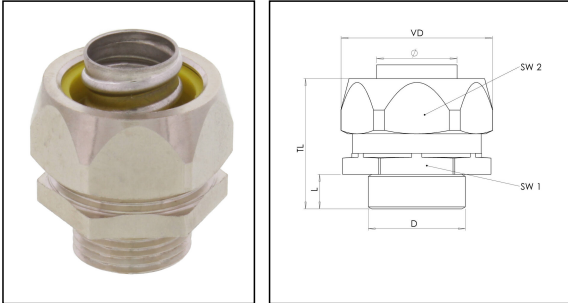


EMBMFS-C-27-32

Metal Conduit fitting brass nickel-plated, NW27/M32, corrugated



Products may differ in size, colour and appearance to those shown. If you require further information or customisation, please contact us directly.



Material Conduit fitting	Brass nickel-plated
Material sealing gasket	PA
Protection class	IP67
Temp. range min	-45 °C
Temp. range max	145 °C
Operational areas	Railway technology
NW	27
Thread type	M
Ø Connection thread D	32
Lead	1,5
Length screw-in thread L	11 mm
Ø closure VD	49 mm
Ø inside	26,5 mm
Key width SW1	43 mm
Key width SW2	45 mm
Total length TL	46,4 mm
Using for Conduit	corrugated
Torque nozzle	24 N m
Torque cap nut	24 N m
Type	EMBMFS-C-27-32
WISKA-Order no.	10109108
Packing unit	2
EAN number	4007686081091
Tariff number	74122000
ETIM-Classification	EC001180

Your Contact:

WISKA Hoppmann GmbH

Kisdorfer Weg 28 · 24568 Kaltenkirchen · Germany

☎ +49-4191-508-0 · 📠 +49-4191-508-209

contact@wiska.de · www.wiska.com

Recommended accessories

BMCG-PVC-C-27-BK	10109011
BMCG-PVC-C-27-LG	10109019
BMCG-PU-C-27-BK	10109059
BMCG-PU-C-27-BL	10109067
BMCG-PU-C-27-LG	10109075
BMCG-PVC-C-BG-27	10109083

23.05.2026

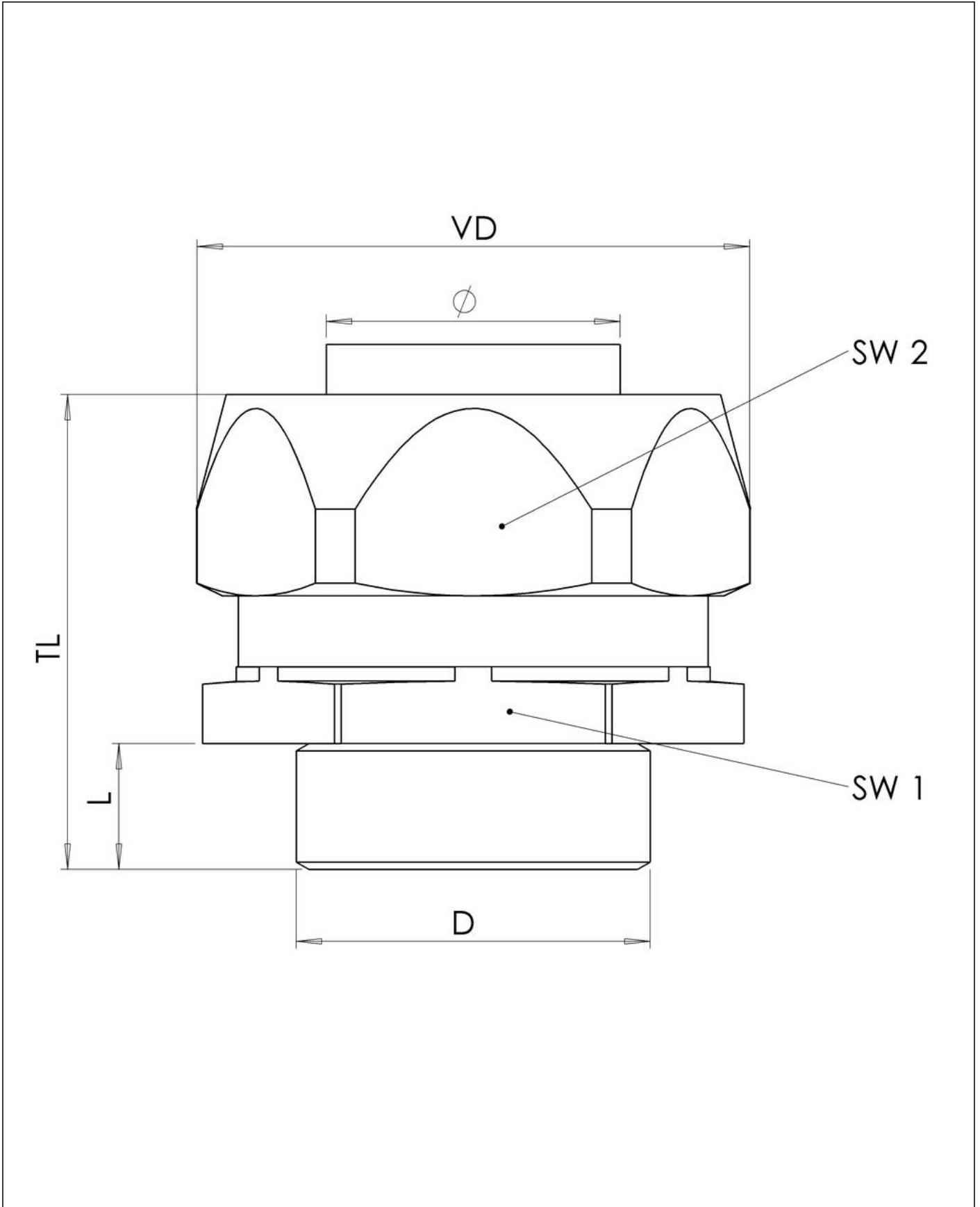
Your Contact:

WISKA Hoppmann GmbH

Kisdorfer Weg 28 · 24568 Kaltenkirchen · Germany

 +49-4191-508-0 ·  +49-4191-508-209

contact@wiska.de · www.wiska.com



Your Contact:

WISKA Hoppmann GmbH

Kisdorfer Weg 28 · 24568 Kaltenkirchen · Germany

☎ +49-4191-508-0 · 📠 +49-4191-508-209

✉ contact@wiska.de · www.wiska.com