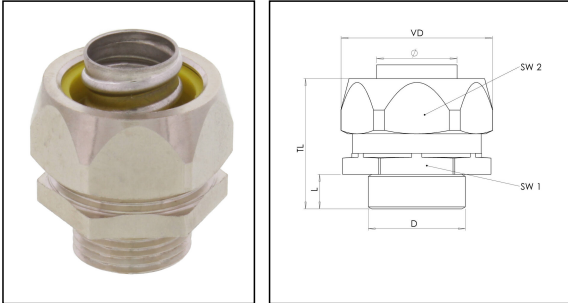


EMBMFS-C-35-40

Metal Conduit fitting brass nickel-plated, NW35/M40, corrugated



Products may differ in size, colour and appearance to those shown. If you require further information or customisation, please contact us directly.



Material Conduit fitting	Brass nickel-plated
Material sealing gasket	PA
Protection class	IP67
Temp. range min	-45 °C
Temp. range max	145 °C
Operational areas	Railway technology
NW	35
Thread type	M
Ø Connection thread D	40
Lead	1,5
Length screw-in thread L	11 mm
Ø closure VD	60 mm
Ø inside	34,5 mm
Key width SW1	52 mm
Key width SW2	54 mm
Total length TL	46,8 mm
Using for Conduit	corrugated
Torque nozzle	25 N m
Torque cap nut	25 N m
Type	EMBMFS-C-35-40
WISKA-Order no.	10109112
Packing unit	2
EAN number	4007686081152
Tariff number	74122000
ETIM-Classification	EC001180

Your Contact:

WISKA Hoppmann GmbH

Kisdorfer Weg 28 · 24568 Kaltenkirchen · Germany

☎ +49-4191-508-0 · 📠 +49-4191-508-209

contact@wiska.de · www.wiska.com

Recommended accessories



BMCG-PVC-C-35-BK	10109012
BMCG-PVC-C-35-LG	10109020
BMCG-PU-C-35-BK	10109060
BMCG-PU-C-35-BL	10109068
BMCG-PU-C-35-LG	10109076
BMCG-PVC-C-BG-35	10109084

23.05.2026

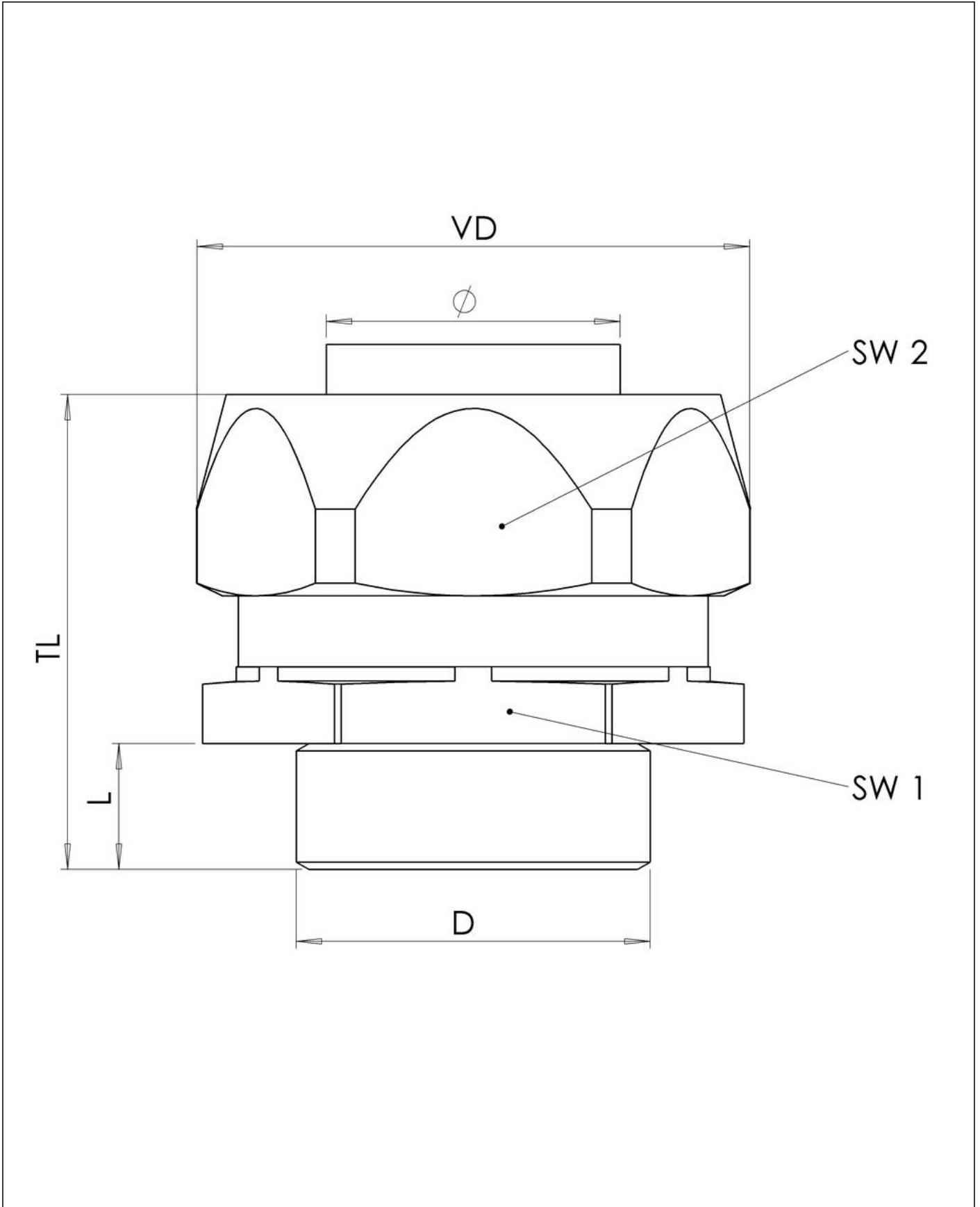
Your Contact:

WISKA Hoppmann GmbH

Kisdorfer Weg 28 · 24568 Kaltenkirchen · Germany

 +49-4191-508-0 ·  +49-4191-508-209

contact@wiska.de · www.wiska.com



Your Contact:

WISKA Hoppmann GmbH

Kisdorfer Weg 28 · 24568 Kaltenkirchen · Germany

☎ +49-4191-508-0 · 📠 +49-4191-508-209

contact@wiska.de · www.wiska.com