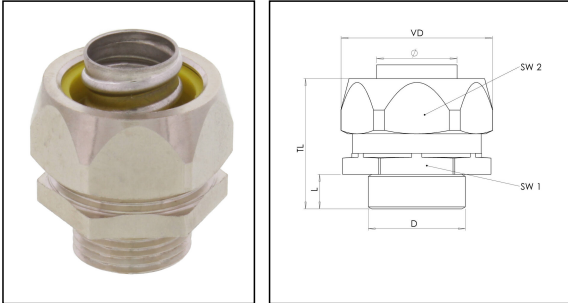


EMBMFS-C-50-63

Metal Conduit fitting brass nickel-plated, NW50/M63, corrugated



Products may differ in size, colour and appearance to those shown. If you require further information or customisation, please contact us directly.



Material Conduit fitting	Brass nickel-plated
Material sealing gasket	PA
Protection class	IP67
Temp. range min	-45 °C
Temp. range max	145 °C
Operational areas	Railway technology
NW	50
Thread type	M
Ø Connection thread D	63
Lead	1,5
Length screw-in thread L	14 mm
Ø closure VD	84,5 mm
Ø inside	50,5 mm
Key width SW1	75 mm
Key width SW2	80 mm
Total length TL	56,9 mm
Using for Conduit	corrugated
Type	EMBMFS-C-50-63
WISKA-Order no.	10109120
Packing unit	2
EAN number	4007686081312
Tariff number	74122000
ETIM-Classification	EC001180

Your Contact:

WISKA Hoppmann GmbH

Kisdorfer Weg 28 · 24568 Kaltenkirchen · Germany

☎ +49-4191-508-0 · 📠 +49-4191-508-209

contact@wiska.de · www.wiska.com

Recommended accessories

BMCG-PVC-C-50-BK	10109014
BMCG-PVC-C-50-LG	10109022
BMCG-PU-C-50-BK	10109062
BMCG-PU-C-50-BL	10109070
BMCG-PU-C-50-LG	10109078
BMCG-PVC-C-BG-50	10109086

23.05.2026

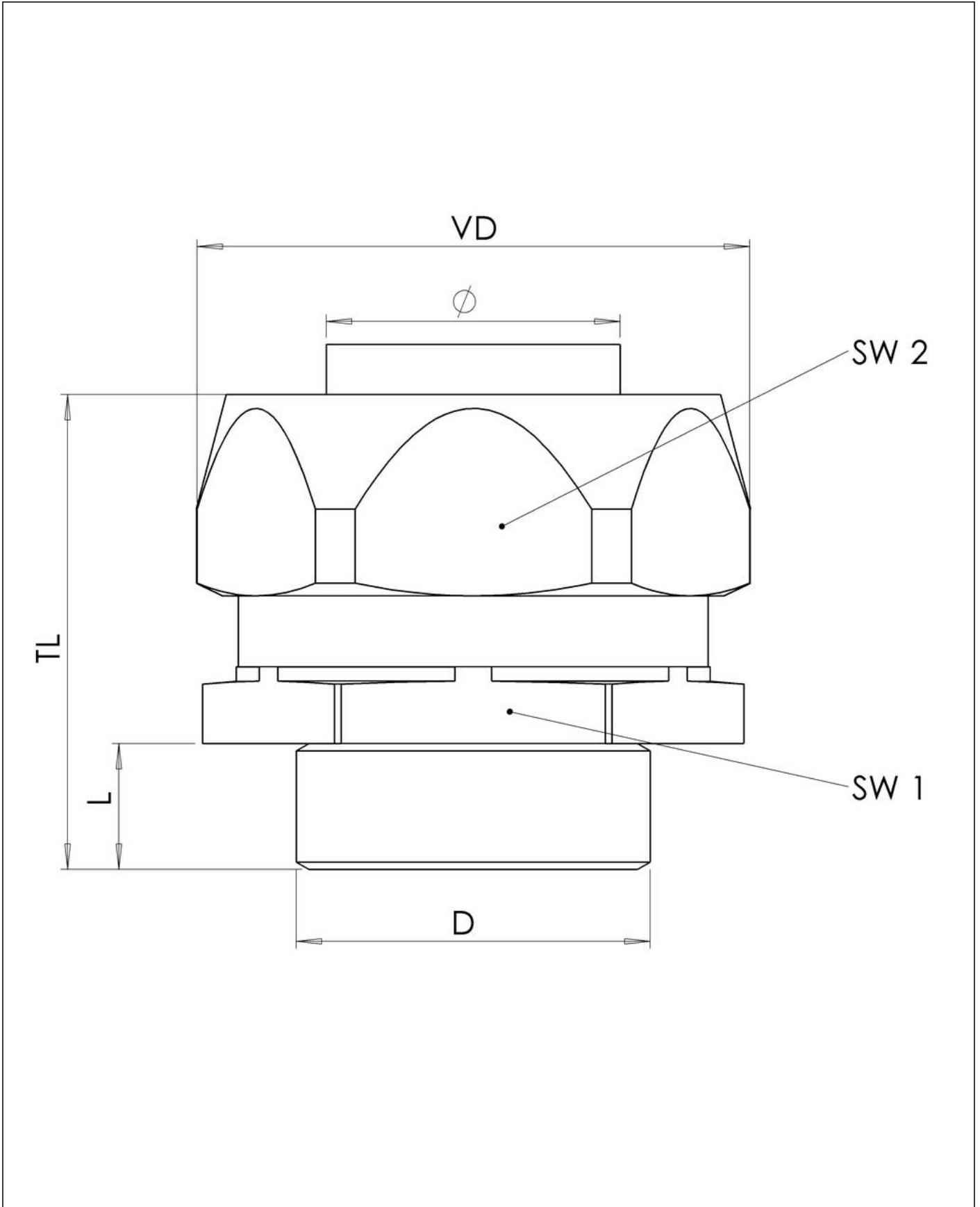
Your Contact:

WISKA Hoppmann GmbH

Kisdorfer Weg 28 · 24568 Kaltenkirchen · Germany

☎ +49-4191-508-0 · 📠 +49-4191-508-209

contact@wiska.de · www.wiska.com



Your Contact:

WISKA Hoppmann GmbH

Kisdorfer Weg 28 · 24568 Kaltenkirchen · Germany

☎ +49-4191-508-0 · 📠 +49-4191-508-209

contact@wiska.de · www.wiska.com