

EMSKVZ 20 RW

Railway cable gland, brass nickel-plated, M20, with external strain relief



Products may differ in size, colour and appearance to those shown. If you require further information or customisation, please contact us directly.



Material cable gland	Brass nickel-plated
Material sealing gasket	EPDM
Material clamping cage	Polyamide UL94-V0
Hazard level EN acc. 45545	R22=HL3 / R23=HL3 / R24=HL3
Protection class	IP69, IP68 (5 bar 30 min)
Thread type	M
Ø Connection thread D	20
Lead	1,5
Length screw-in thread L	6 mm
Temp. range min	-40 °C
Temp. range max	100 °C
Ø cable diameter min	6 mm
Ø cable diameter max	13 mm
Key width SW	24 mm
Collar diameter (E)	27 mm
Total length TL	37 mm - 45 mm
Type of cable anchorage	B
Install. torques fitting	8 N m
Install. torques cap nut	8 N m
Torque clamp srew	0,4 N m
Impact category	6
Surface	Nickel-plated
Order no. nickel-plated	10109129
Type	EMSKVZ 20 RW
Packing unit	25

Your Contact:

WISKA Hoppmann GmbH

Kisdorfer Weg 28 · 24568 Kaltenkirchen · Germany

☎ +49-4191-508-0 · 📠 +49-4191-508-209

contact@wiska.de · www.wiska.com

EAN number	4007686081473
Tariff number	74198090
ETIM-Classification	EC000441

Recommended accessories

EMMU 20	10063143
BS 13	10064010
RDE 20 RW	10105372

23.05.2026

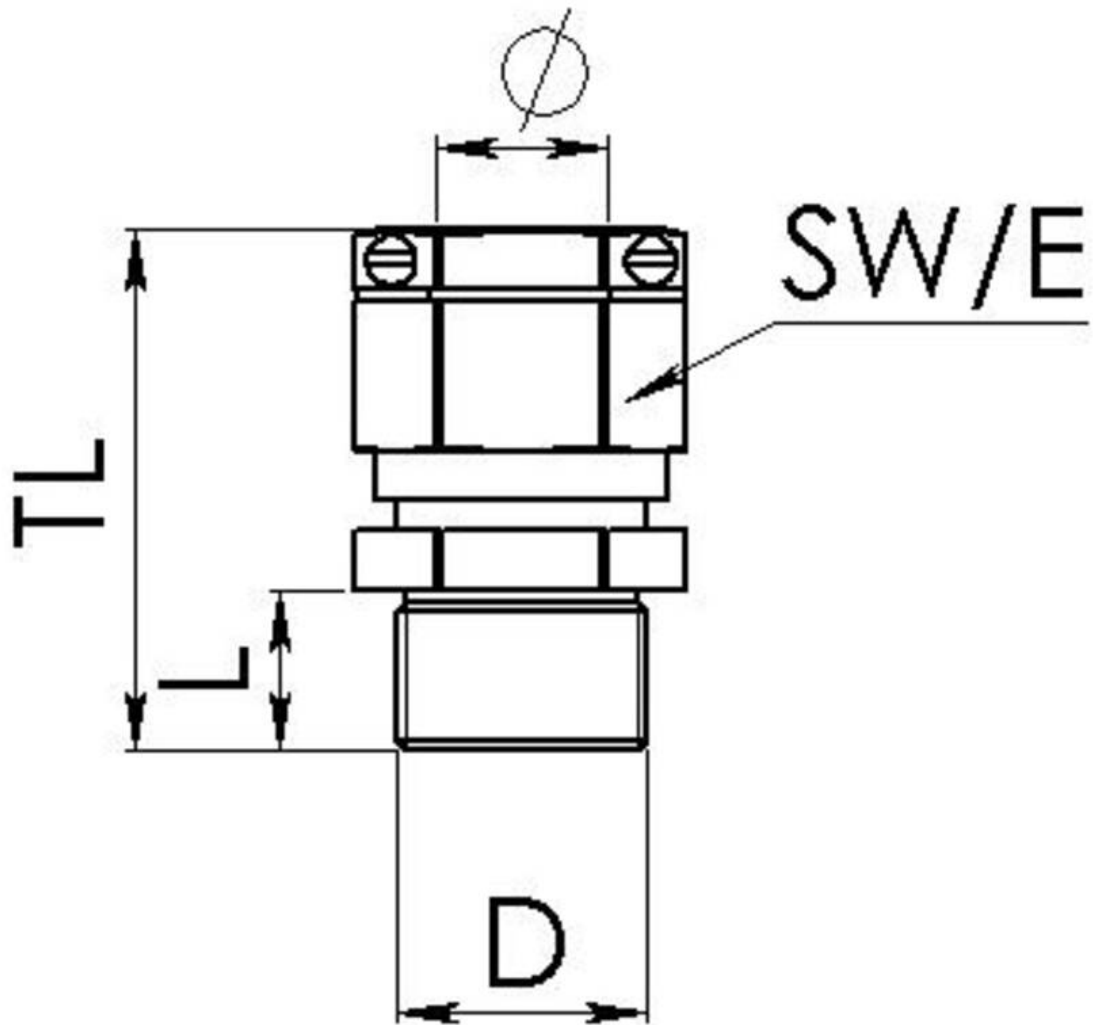
Your Contact:

WISKA Hoppmann GmbH

Kisdorfer Weg 28 · 24568 Kaltenkirchen · Germany

☎ +49-4191-508-0 · 📠 +49-4191-508-209

contact@wiska.de · www.wiska.com



Your Contact:

WISKA Hoppmann GmbH

Kisdorfer Weg 28 · 24568 Kaltenkirchen · Germany

☎ +49-4191-508-0 · 📠 +49-4191-508-209

contact@wiska.de · www.wiska.com