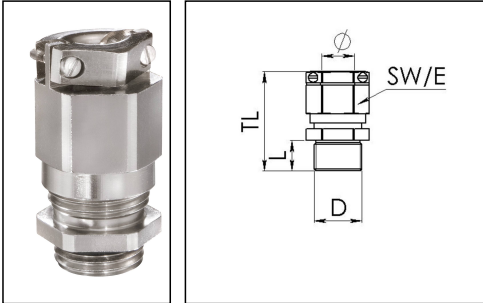


EMSKVZ 32 RW

Railway cable gland, brass nickel-plated, M32, with external strain relief



Products may differ in size, colour and appearance to those shown. If you require further information or customisation, please contact us directly.



| | |
|----------------------------|-----------------------------|
| Material cable gland | Brass nickel-plated |
| Material sealing gasket | EPDM |
| Material clamping cage | Polyamide UL94-V0 |
| Hazard level EN acc. 45545 | R22=HL3 / R23=HL3 / R24=HL3 |
| Protection class | IP69, IP68 (5 bar 30 min) |
| Thread type | M |
| Ø Connection thread D | 32 |
| Lead | 1,5 |
| Length screw-in thread L | 8 mm |
| Temp. range min | -40 °C |
| Temp. range max | 100 °C |
| Ø cable diameter min | 13 mm |
| Ø cable diameter max | 21 mm |
| Key width SW | 36 mm |
| Collar diameter (E) | 40 mm |
| Total length TL | 45 mm - 54 mm |
| Type of cable anchorage | B |
| Install. torques fitting | 20 N m |
| Install. torques cap nut | 20 N m |
| Torque clamp screw | 0,5 N m |
| Impact category | 6 |
| Surface | Nickel-plated |
| Order no. nickel-plated | 10109131 |
| Type | EMSKVZ 32 RW |
| Packing unit | 10 |

Your Contact:

WISKA Hoppmann GmbH
Kisdorfer Weg 28 · 24568 Kaltenkirchen · Germany
☎ +49-4191-508-0 · 📠 +49-4191-508-209
contact@wiska.de · www.wiska.com

| | |
|----------------------------|---------------|
| EAN number | 4007686081510 |
| Tariff number | 74198090 |
| ETIM-Classification | EC000441 |

Recommended accessories

| | |
|------------------|----------|
| EMMU 32 | 10063145 |
| BS 21 | 10064014 |
| RDE 32 RW | 10105374 |

23.05.2026

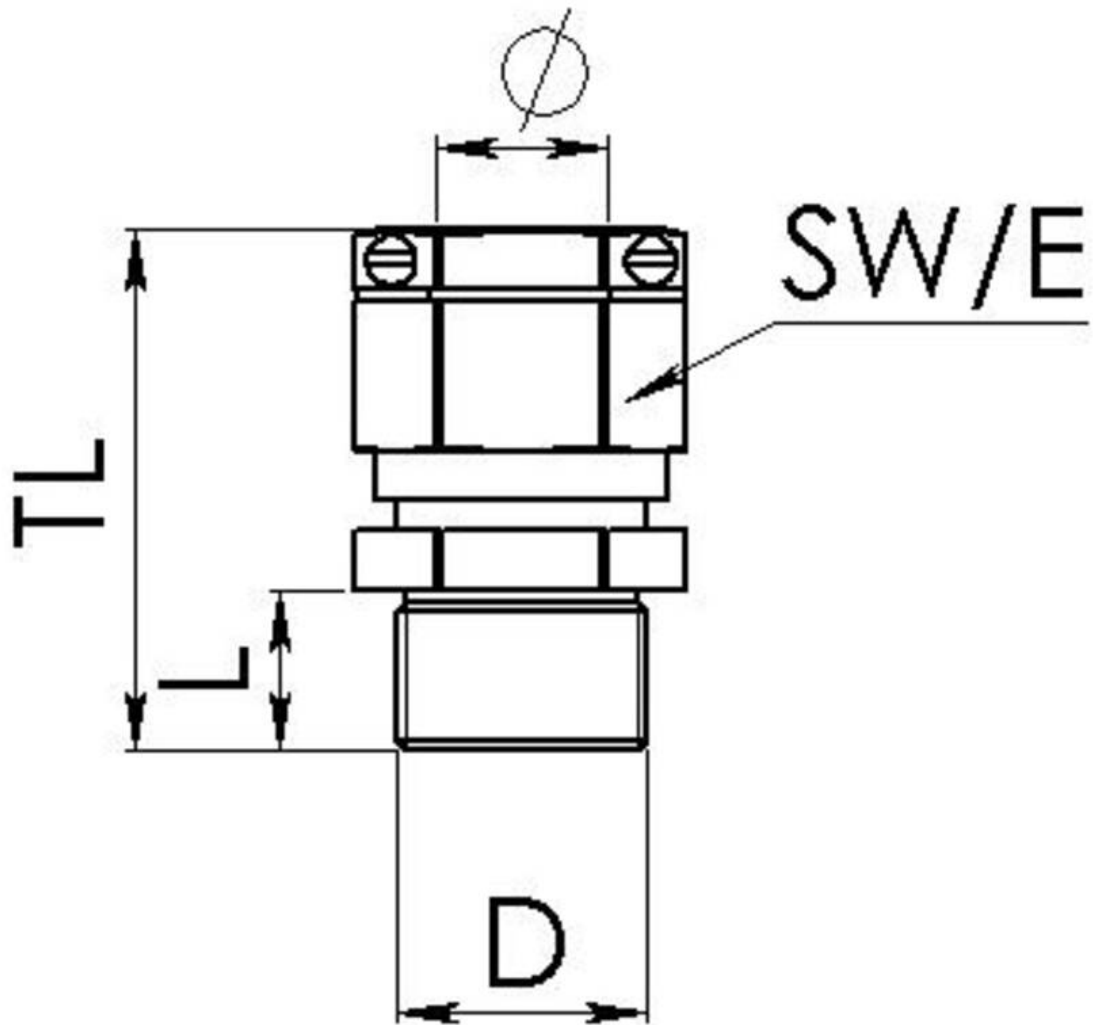
Your Contact:

WISKA Hoppmann GmbH

Kisdorfer Weg 28 · 24568 Kaltenkirchen · Germany

☎ +49-4191-508-0 · 📠 +49-4191-508-209

contact@wiska.de · www.wiska.com



Your Contact:
WISKA Hoppmann GmbH
Kisdorfer Weg 28 · 24568 Kaltenkirchen · Germany
☎ +49-4191-508-0 · 📠 +49-4191-508-209
contact@wiska.de · www.wiska.com