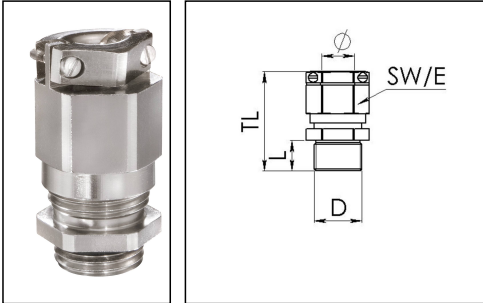


## EMSKVZ 40 RW

Railway cable gland, brass nickel-plated, M40, with external strain relief



Products may differ in size, colour and appearance to those shown. If you require further information or customisation, please contact us directly.



<b>Material cable gland</b>	Brass nickel-plated
<b>Material sealing gasket</b>	EPDM
<b>Material clamping cage</b>	Polyamide UL94-V0
<b>Hazard level EN acc. 45545</b>	R22=HL3 / R23=HL3 / R24=HL3
<b>Protection class</b>	IP69, IP68 (5 bar 30 min)
<b>Thread type</b>	M
<b>Ø Connection thread D</b>	40
<b>Lead</b>	1,5
<b>Length screw-in thread L</b>	8 mm
<b>Temp. range min</b>	-40 °C
<b>Temp. range max</b>	100 °C
<b>Ø cable diameter min</b>	16 mm
<b>Ø cable diameter max</b>	28 mm
<b>Key width SW</b>	46 mm
<b>Collar diameter (E)</b>	50 mm
<b>Total length TL</b>	54 mm - 65 mm
<b>Type of cable anchorage</b>	B
<b>Install. torques fitting</b>	20 N m
<b>Install. torques cap nut</b>	20 N m
<b>Torque clamp screw</b>	0,5 N m
<b>Impact category</b>	6
<b>Surface</b>	Nickel-plated
<b>Order no. nickel-plated</b>	10109132
<b>Type</b>	EMSKVZ 40 RW
<b>Packing unit</b>	5

Your Contact:

WISKA Hoppmann GmbH

Kisdorfer Weg 28 · 24568 Kaltenkirchen · Germany

☎ +49-4191-508-0 · 📠 +49-4191-508-209

contact@wiska.de · www.wiska.com

<b>EAN number</b>	4007686081534
<b>Tariff number</b>	74198090
<b>ETIM-Classification</b>	EC000441

#### Recommended accessories

<b>EMMU 40</b>	10063146
<b>BS 28</b>	10064016
<b>RDE 40 RW</b>	10105375

23.05.2026

Your Contact:

**WISKA Hoppmann GmbH**

Kisdorfer Weg 28 · 24568 Kaltenkirchen · Germany

☎ +49-4191-508-0 · 📠 +49-4191-508-209

contact@wiska.de · www.wiska.com



Your Contact:  
**WISKA Hoppmann GmbH**  
Kisdorfer Weg 28 · 24568 Kaltenkirchen · Germany  
☎ +49-4191-508-0 · 📠 +49-4191-508-209  
contact@wiska.de · www.wiska.com