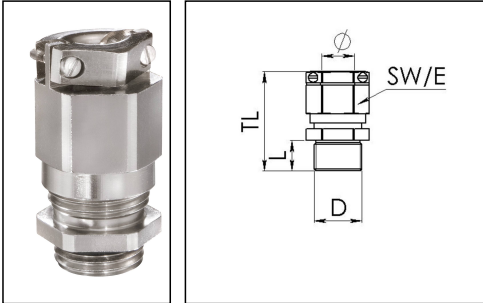


## EMSKVZ 63 RW

Railway cable gland, brass nickel-plated, M63, with external strain relief



Products may differ in size, colour and appearance to those shown. If you require further information or customisation, please contact us directly.



Material cable gland	Brass nickel-plated
Material sealing gasket	EPDM
Material clamping cage	Polyamide UL94-V0
Hazard level EN acc. 45545	R22=HL3 / R23=HL3 / R24=HL3
Protection class	IP69, IP68 (5 bar 30 min)
Thread type	M
Ø Connection thread D	63
Lead	1,5
Length screw-in thread L	10 mm
Temp. range min	-40 °C
Temp. range max	100 °C
Ø cable diameter min	34 mm
Ø cable diameter max	48 mm
Key width SW	68 mm
Collar diameter (E)	75 mm
Total length TL	73 mm - 84 mm
Type of cable anchorage	B
Install. torques fitting	40 N m
Install. torques cap nut	40 N m
Torque clamp screw	0,6 N m
Impact category	6
Surface	Nickel-plated
Order no. nickel-plated	10109134
Type	EMSKVZ 63 RW
Packing unit	5

Your Contact:

WISKA Hoppmann GmbH

Kisdorfer Weg 28 · 24568 Kaltenkirchen · Germany

☎ +49-4191-508-0 · 📠 +49-4191-508-209

contact@wiska.de · www.wiska.com

<b>EAN number</b>	4007686081572
<b>Tariff number</b>	74198090
<b>ETIM-Classification</b>	EC000441

**Recommended accessories**



<b>EMMU 63</b>	10063148
<b>BS 48</b>	10064019
<b>RDE 63 RW</b>	10105377

23.05.2026

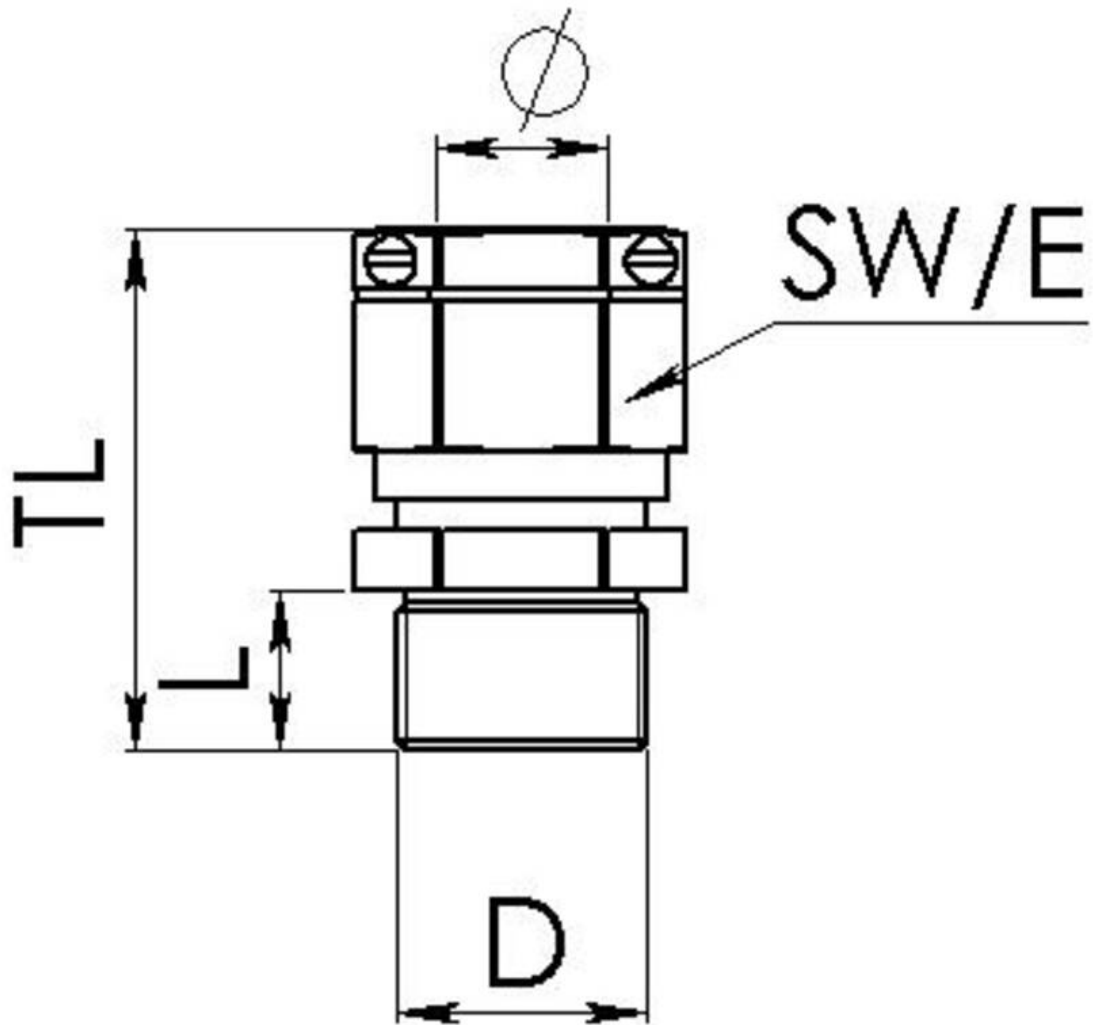
Your Contact:

**WISKA Hoppmann GmbH**

Kisdorfer Weg 28 · 24568 Kaltenkirchen · Germany

 +49-4191-508-0 ·  +49-4191-508-209

contact@wiska.de · www.wiska.com



Your Contact:

**WISKA Hoppmann GmbH**

Kisdorfer Weg 28 · 24568 Kaltenkirchen · Germany

☎ +49-4191-508-0 · 📠 +49-4191-508-209

contact@wiska.de · www.wiska.com