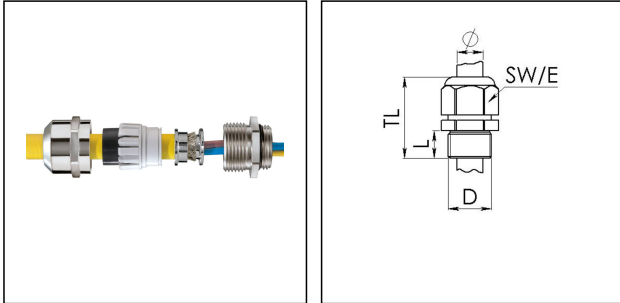


EMSKV 40-50 EMV-Z

EMC-enlargement cable gland, brass nickel-plated, M40-M50



Products may differ in size, colour and appearance to those shown. If you require further information or customisation, please contact us directly.



| | |
|---------------------------------------|---------------------------|
| Material cable gland | Brass nickel-plated |
| Material sealing gasket | EPDM |
| Material clamping cage | Polyamide |
| Material earthing insert | Brass plated |
| Temp. range min | -40 °C |
| Temp. range max | 100 °C |
| Protection class | IP69, IP68 (5 bar 30 min) |
| Thread type | M |
| Ø Connection thread D | 40 |
| Lead | 1,5 |
| Length screw-in thread L | 8 mm |
| Ø cable diameter min | 21 mm |
| Ø cable diameter max | 35 mm |
| Ø cable below cable shield max | 33 mm |
| Key width SW | 55 mm |
| Collar diameter (E) | 61 mm |
| Total length TL | 50 mm - 61 mm |
| Type of cable anchorage | A |
| Install. torques cap nut | 10 N m |
| Install. torques fitting | 10 N m |
| Surface | Nickel-plated |
| Order no. nickel-plated | 10109467 |
| Type | EMSKV 40-50 EMV-Z |
| Packing unit | 10 |
| Tariff number | 85369010 |

Your Contact:

WISKA Hoppmann GmbH

Kisdorfer Weg 28 · 24568 Kaltenkirchen · Germany

☎ +49-4191-508-0 · 📠 +49-4191-508-209

contact@wiska.de · www.wiska.com

| | |
|----------------------------|---------------|
| EAN number | 4007686088236 |
| ETIM-Classification | EC000441 |

26.06.2026

Your Contact:
WISKA Hoppmann GmbH
Kisdorfer Weg 28 · 24568 Kaltenkirchen · Germany
☎ +49-4191-508-0 · 📠 +49-4191-508-209
contact@wiska.de · www.wiska.com



Your Contact:

WISKA Hoppmann GmbH

Kisdorfer Weg 28 · 24568 Kaltenkirchen · Germany

☎ +49-4191-508-0 · 📠 +49-4191-508-209

contact@wiska.de · www.wiska.com