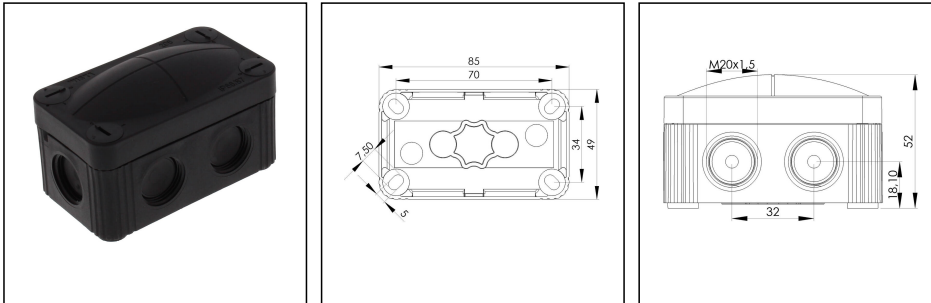



COMBI 206/5 BK

Junction box 85x49x51mm, plastic, RAL 9005, with terminal block



Products may differ in size, colour and appearance to those shown. If you require further information or customisation, please contact us directly.



| | |
|-------------------------------------|---|
| Material | Polypropylene |
| Material sealing gasket | TPE |
| Temp. range min | -30 °C |
| Temp. range max | 100 °C |
| Temperatures during install. | -5 °C - 60 °C |
| Protection class | IP66 / IP67 |
| Glow wire test | 750 °C |
| Voltage | 400 V |
| Rated current / A (Terminal) | 32 A |
| Rated cross section | 1,5 mm ² |
| Terminals/poles | 5-pole, 1,5 mm ² |
| Fixing | 4 internal openings |
| Ø cable diameter min | 3 mm |
| Ø cable diameter max | 12 mm |
| External dimensions LxWxH | 85 x 49 x 51mm |
| Using for cable gland |  |
| Product Color | RAL 9005 |
| Order no. RAL 9005 | 10109572 |
| Type | COMBI 206/5 BK |
| Packing unit | 10 |
| ETIM-Classification | EC002600 |
| EAN number | 4007686094596 |
| Tariff number | 85369010 |

Remarks:

Your Contact:

WISKA Hoppmann GmbH
 Kisdorfer Weg 28 · 24568 Kaltenkirchen · Germany
 ☎ +49-4191-508-0 · 📠 +49-4191-508-209
 contact@wiska.de · www.wiska.com

IP66: using the membrane entry

IP67: using the threaded entry together with ESKV cable gland

Equipment:

- 6 M20 threaded membrane entries
- 2 membrane cable entries through rear
- 4 captive cover screws
- inclusive terminal block 5-poles, 1,5mm²

Fixing:

With 4 internal openings outside of the sealing area

Recommended accessories

| | |
|----------------------------------|----------|
| MP-S Mounting plate small | 10105774 |
| ZER 4-12 LG | 10109800 |

Spare parts

| | |
|-----------------------------------|----------|
| SP-HKT 11/5 Terminal block | 22001132 |
|-----------------------------------|----------|

12.05.2026

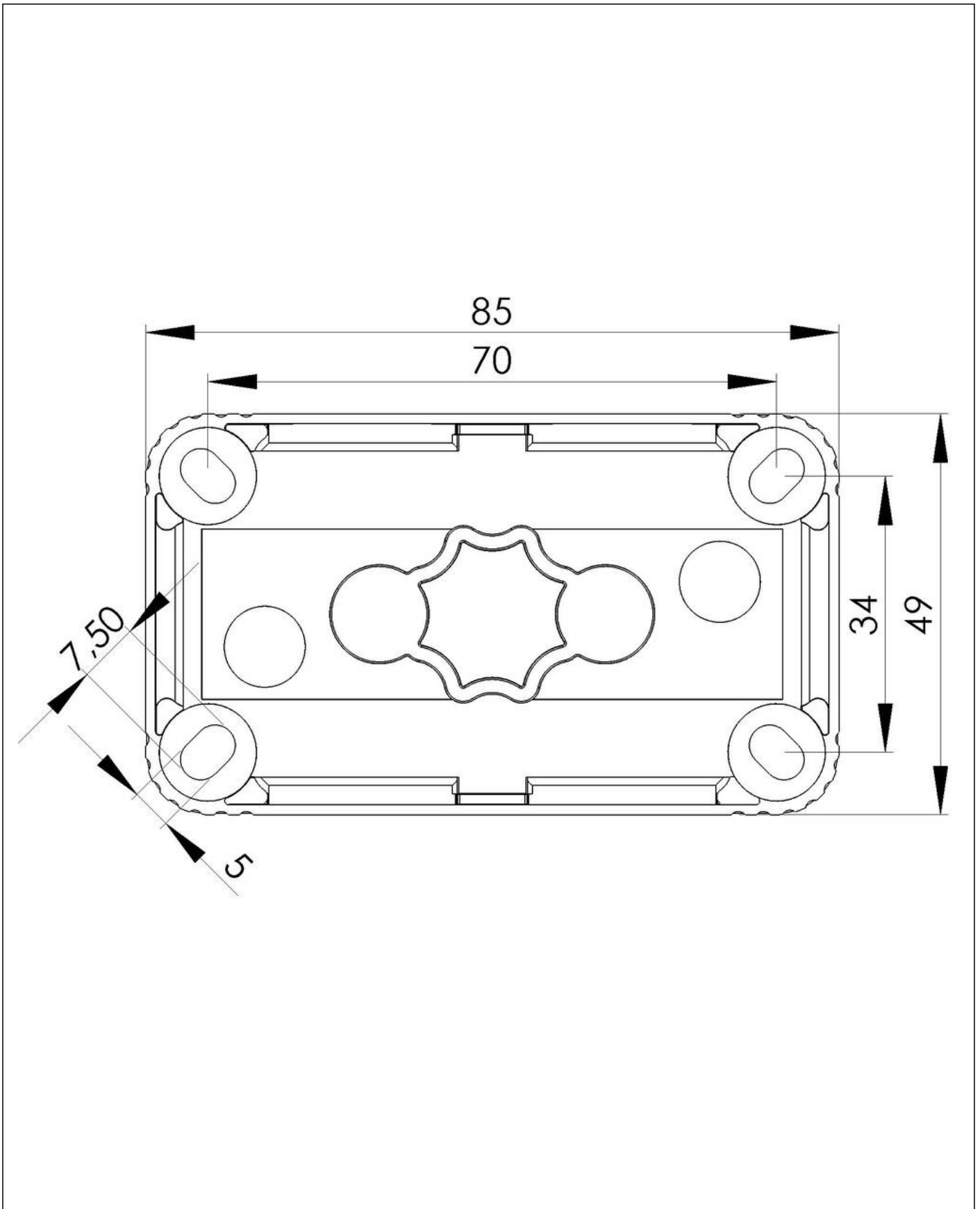
Your Contact:

WISKA Hoppmann GmbH

Kisdorfer Weg 28 · 24568 Kaltenkirchen · Germany

☎ +49-4191-508-0 · 📠 +49-4191-508-209

contact@wiska.de · www.wiska.com



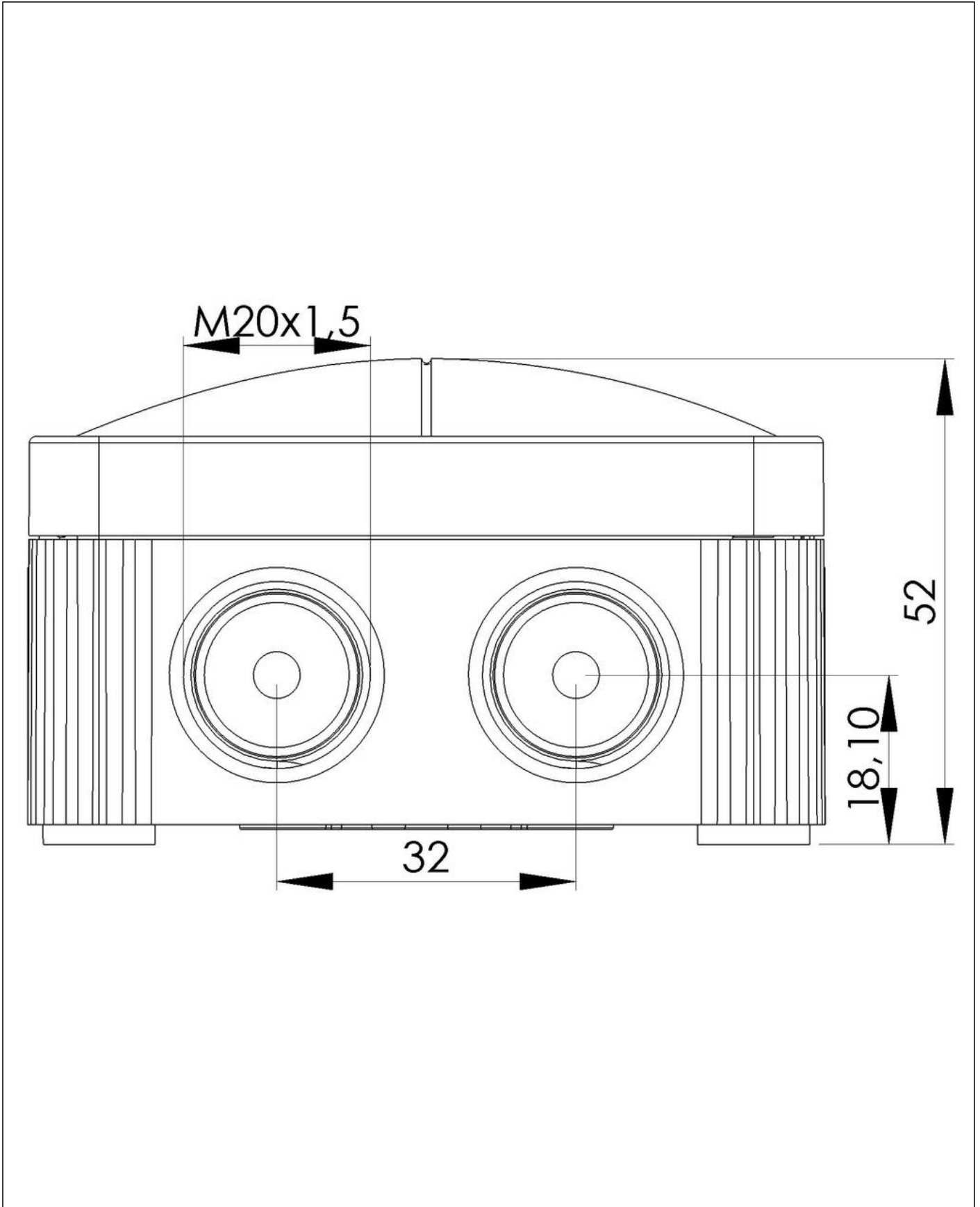
Your Contact:

WISKA Hoppmann GmbH

Kisdorfer Weg 28 · 24568 Kaltenkirchen · Germany

☎ +49-4191-508-0 · 📠 +49-4191-508-209

✉ contact@wiska.de · www.wiska.com



Your Contact:

WISKA Hoppmann GmbH

Kisdorfer Weg 28 · 24568 Kaltenkirchen · Germany

☎ +49-4191-508-0 · 📠 +49-4191-508-209

contact@wiska.de · www.wiska.com