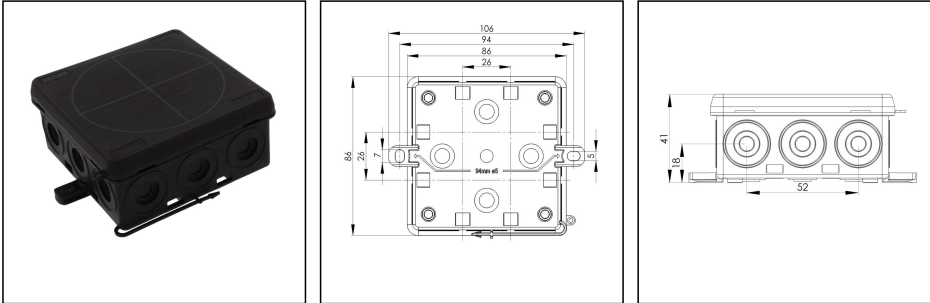



KA 012 BK

Junction box 86x86x41mm, plastic, RAL 9005



Products may differ in size, colour and appearance to those shown. If you require further information or customisation, please contact us directly.



| | |
|-------------------------------------|---|
| Material | Polyethylene / Polypropylene |
| Protection class | IP55 |
| Temp. range min | -30 °C |
| Temp. range max | 60 °C |
| Temperatures during install. | -5 °C - 60 °C |
| Glow wire test | 750 °C |
| Voltage | 400 V |
| Rated cross section | 4 mm ² |
| Fixing | 2 external mounting feet |
| Ø cable diameter min | 7 mm |
| Ø cable diameter max | 12 mm |
| External dimensions LxWxH | 86 x 86 x 41 mm |
| Using for cable gland |  |
| Product Color | RAL 9005 |
| Order no. RAL 9005 | 10109587 |
| Type | KA 012 BK |
| Packing unit | 10 |
| EAN number | 4007686094923 |
| Tariff number | 39269097 |
| ETIM-Classification | EC002600 |

Remarks:

Fixture: with cable ties, 2 external mounting feet

Equipment: 12 self-sealing, cutable cable entries at the side, 4 on the bottom
captive cover

Your Contact:

WISKA Hoppmann GmbH

Kisdorfer Weg 28 · 24568 Kaltenkirchen · Germany

☎ +49-4191-508-0 · 📠 +49-4191-508-209

contact@wiska.de · www.wiska.com

Recommended accessories

| | |
|----------------------------------|----------|
| ZER 4-12 LG | 10109800 |
| ESD 30 LG | 10109875 |
| ESV LG | 10109876 |
| EDV LG | 10109877 |
| ZER 11-18 LG | 10110766 |
| SP-KT 11/5 Terminal block | 22000409 |

23.05.2026

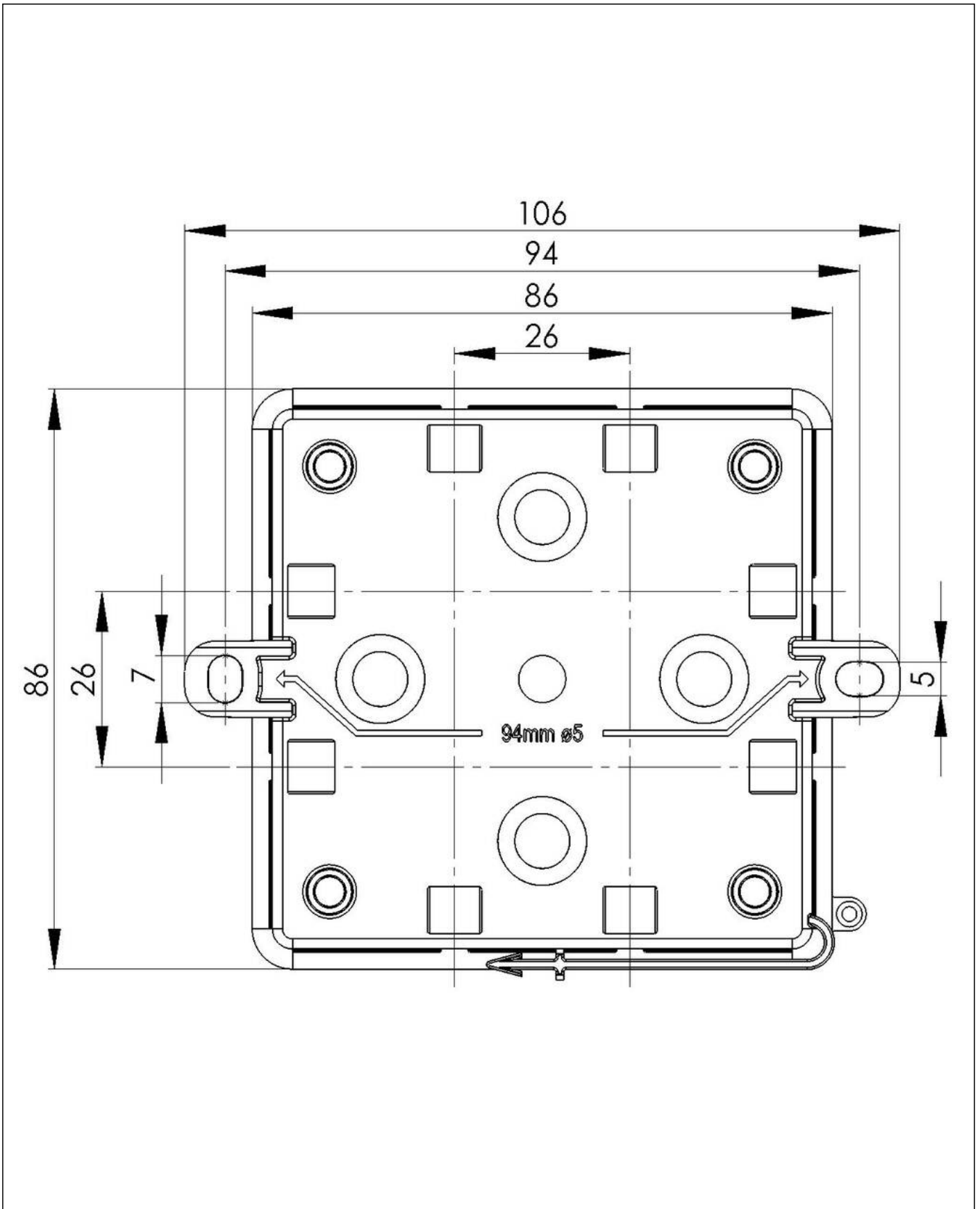
Your Contact:

WISKA Hoppmann GmbH

Kisdorfer Weg 28 · 24568 Kaltenkirchen · Germany

☎ +49-4191-508-0 · 📠 +49-4191-508-209

contact@wiska.de · www.wiska.com



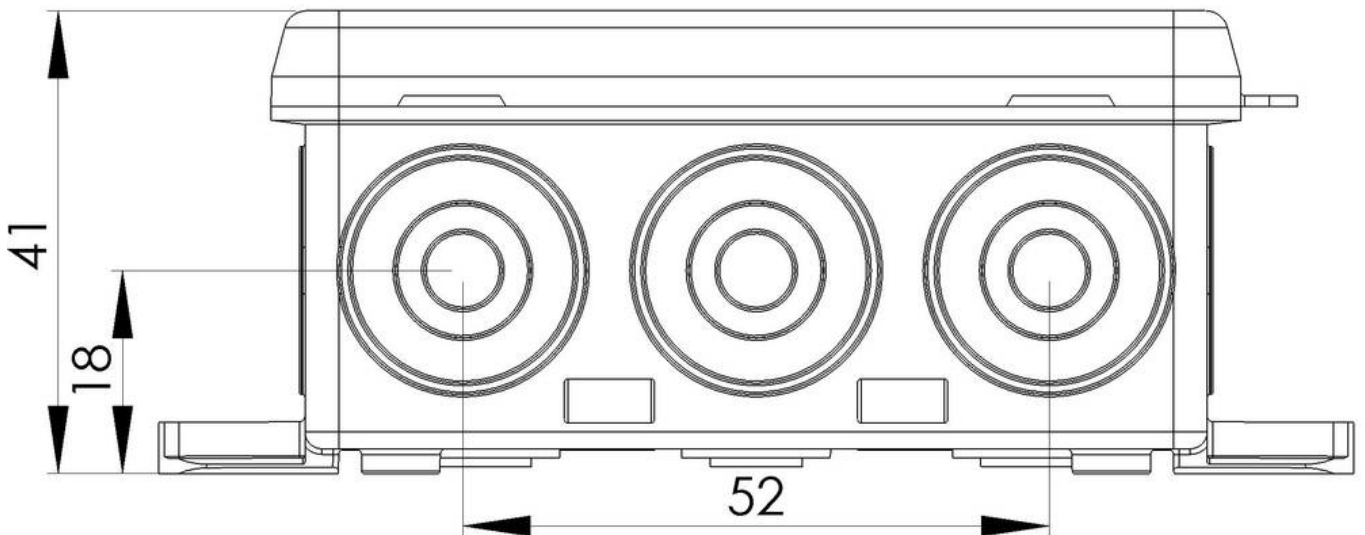
Your Contact:

WISKA Hoppmann GmbH

Kisdorfer Weg 28 · 24568 Kaltenkirchen · Germany

☎ +49-4191-508-0 · 📠 +49-4191-508-209

contact@wiska.de · www.wiska.com



Your Contact:

WISKA Hoppmann GmbH

Kisdorfer Weg 28 · 24568 Kaltenkirchen · Germany

☎ +49-4191-508-0 · 📠 +49-4191-508-209

contact@wiska.de · www.wiska.com