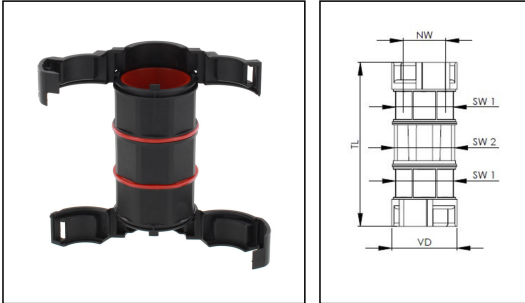


BFC-36-36-BG

Adaptor-Connector, polyamide, RAL 7031, NW 36



Products may differ in size, colour and appearance to those shown. If you require further information or customisation, please contact us directly.



Material Conduit fitting	polyamide UL94-V0
Material sealing gasket	TPU
Protection class	IP68
Temp. range min	-40 °C
Temp. range max	100 °C
NW	36
Ø closure VD	54,9 mm
Key width SW1	50 mm
Key width SW2	54 mm
Total length TL	101,9 mm
Product Color	RAL 7031
Type	BFC-36-36-BG
Order no. RAL 7031	10109738
Packing unit	2
EAN number	4007686264746
Tariff number	39269097
ETIM-Classification	EC001176

23.05.2026

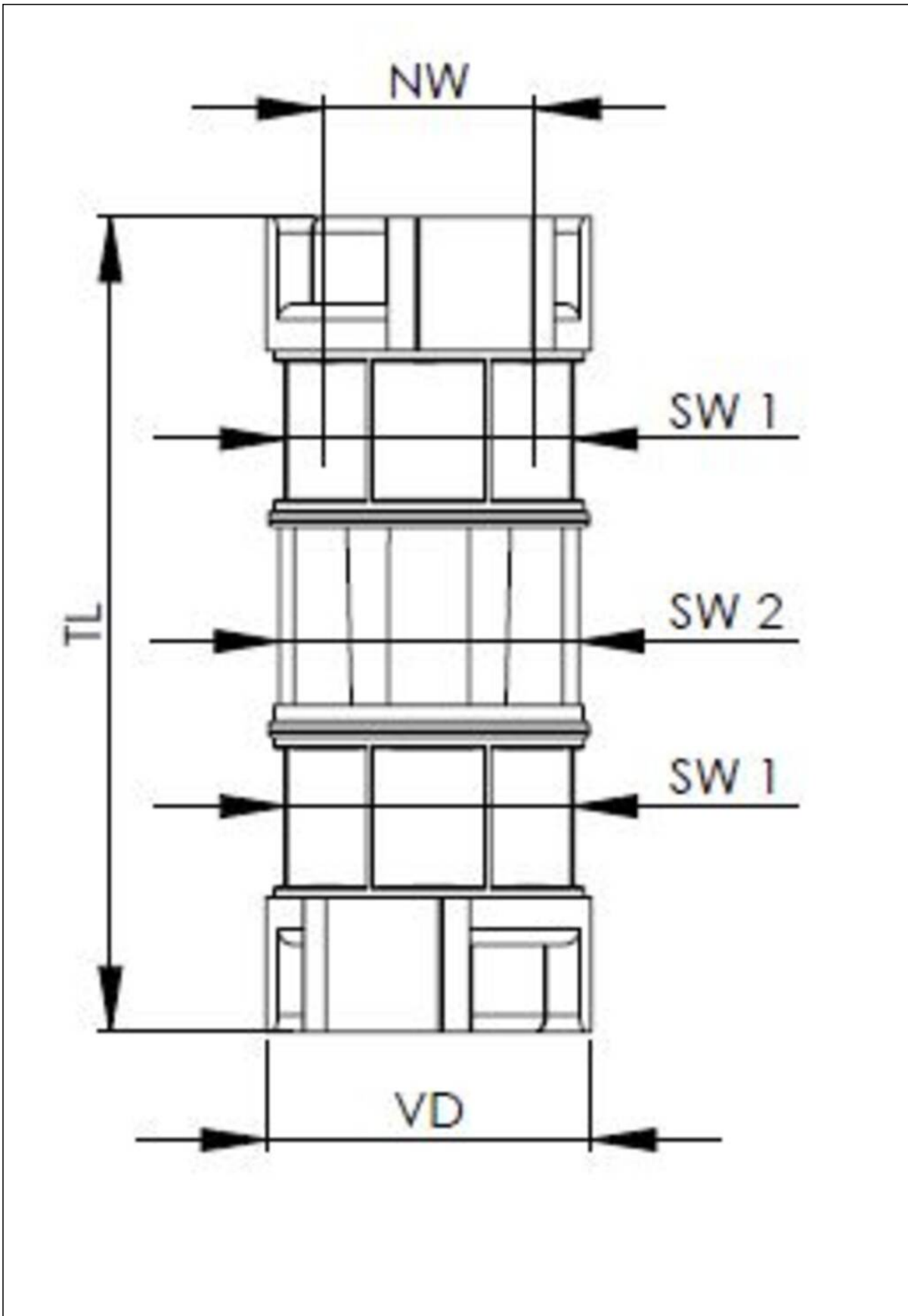
Your Contact:

WISKA Hoppmann GmbH

Kisdorfer Weg 28 · 24568 Kaltenkirchen · Germany

☎ +49-4191-508-0 · 📠 +49-4191-508-209

contact@wiska.de · www.wiska.com



Your Contact:

WISKA Hoppmann GmbH

Kisdorfer Weg 28 · 24568 Kaltenkirchen · Germany

☎ +49-4191-508-0 · 📠 +49-4191-508-209

contact@wiska.de · www.wiska.com