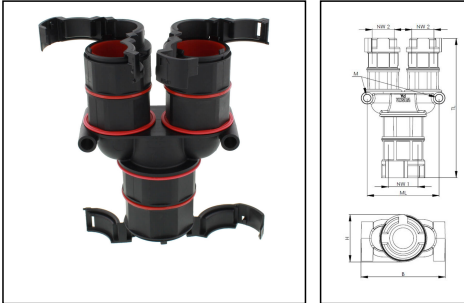


BFY-17-12-12-BG

Y-Connector, polyamide, RAL 7031, NW 17-NW 12



Products may differ in size, colour and appearance to those shown. If you require further information or customisation, please contact us directly.



Material Conduit fitting	polyamide UL94-V0
Material sealing gasket	TPU
Protection class	IP68
Temp. range min	-40 °C
Temp. range max	100 °C
NW 1	17
NW 2	12
Width B	62,1 mm
Height H	32,6 mm
Borehole M	M5
Distance between boreholes ML	46,9 mm
Total length TL	113,4 mm
Product Color	RAL 7031
Type	BFY-17-12-12-BG
Order no. RAL 7031	10109761
Packing unit	5
EAN number	4007686266320
Tariff number	39269097
ETIM-Classification	EC001176

26.06.2026

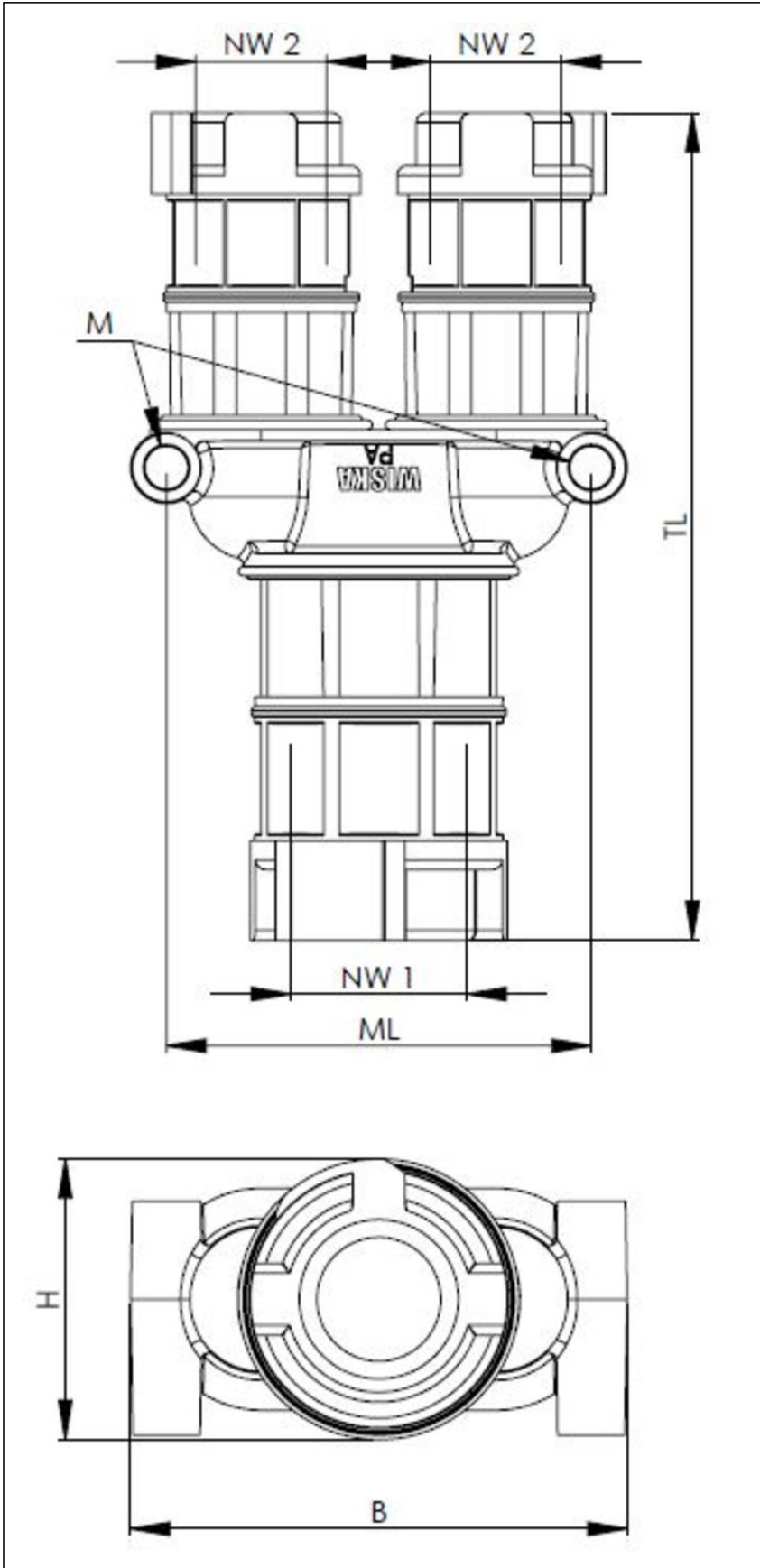
Your Contact:

WISKA Hoppmann GmbH

Kisdorfer Weg 28 · 24568 Kaltenkirchen · Germany

☎ +49-4191-508-0 · 📠 +49-4191-508-209

contact@wiska.de · www.wiska.com



Your Contact:

WISKA Hoppmann GmbH

Kisdorfer Weg 28 · 24568 Kaltenkirchen · Germany

☎ +49-4191-508-0 · 📠 +49-4191-508-209

contact@wiska.de · www.wiska.com