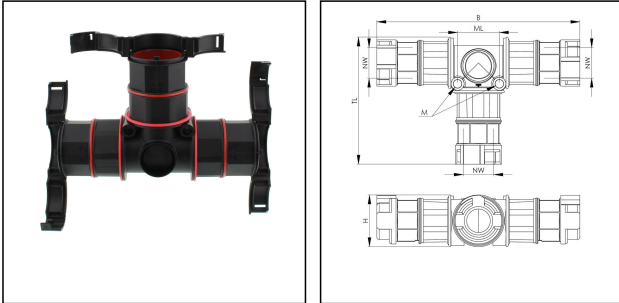


BFT-29-29-29-BG

T-Connector, polyamide, RAL 7031, NW 29



Products may differ in size, colour and appearance to those shown. If you require further information or customisation, please contact us directly.



Material Conduit fitting	polyamide UL94-V0
Material sealing gasket	TPU
Protection class	IP68
Temp. range min	-40 °C
Temp. range max	100 °C
NW	29
Width B	176,4 mm
Height H	50 mm
Borehole M	M6
Distance between boreholes ML	35,9 mm
Total length TL	113,5 mm
Product Color	RAL 7031
Type	BFT-29-29-29-BG
Order no. RAL 7031	10109775
Packing unit	2
EAN number	4007686266559
Tariff number	39269097
ETIM-Classification	EC001176

26.06.2026

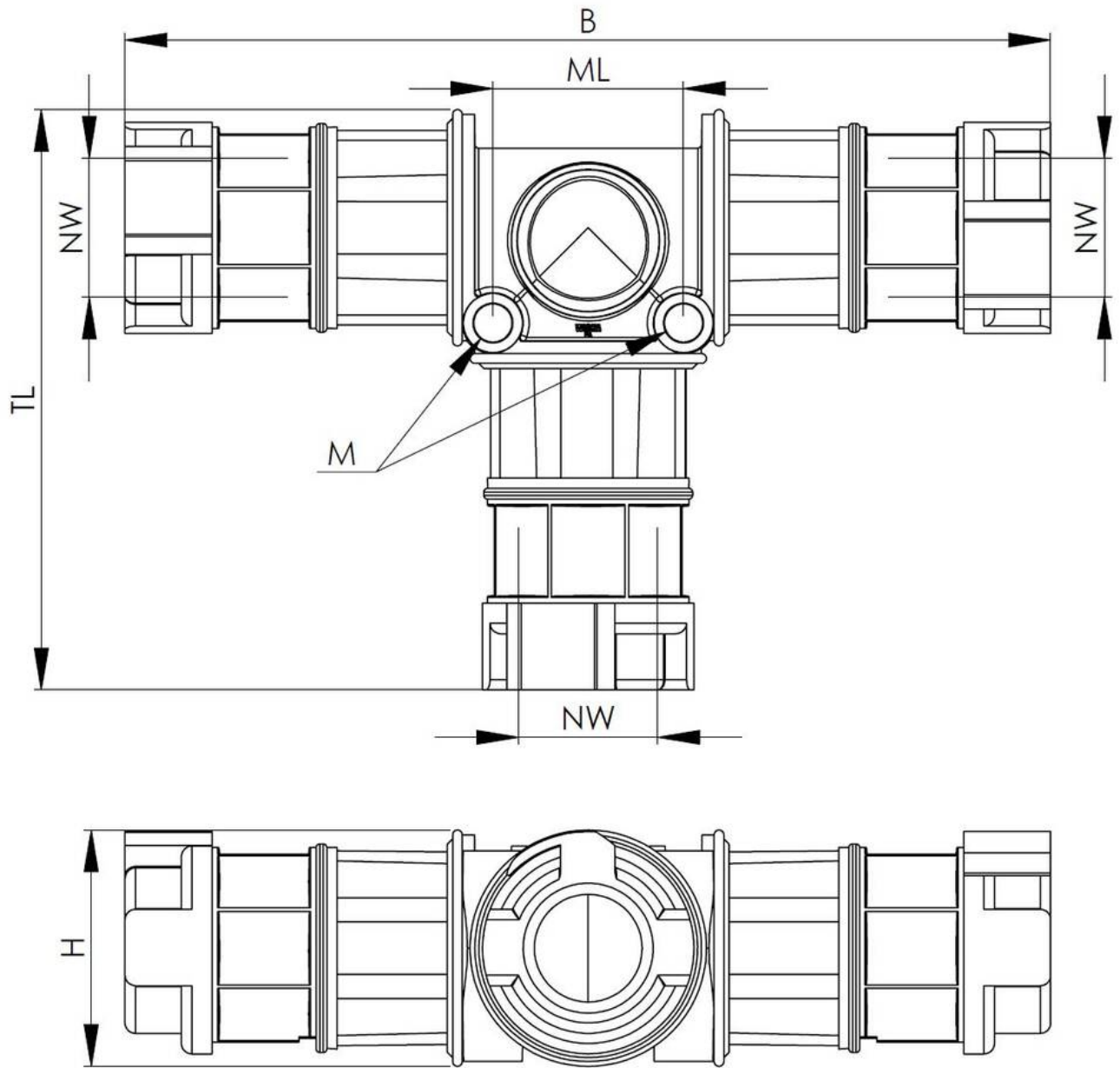
Your Contact:

WISKA Hoppmann GmbH

Kisdorfer Weg 28 · 24568 Kaltenkirchen · Germany

☎ +49-4191-508-0 · 📠 +49-4191-508-209

contact@wiska.de · www.wiska.com



Your Contact:

WISKA Hoppmann GmbH

Kisdorfer Weg 28 · 24568 Kaltenkirchen · Germany

☎ +49-4191-508-0 · 📠 +49-4191-508-209

✉ contact@wiska.de · 🌐 www.wiska.com