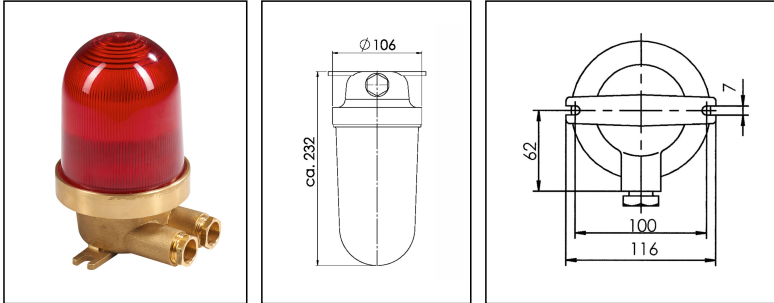



1131/CR/L/rd/oT/1975-1xZ14

HNA standard light max. 23W B22d, brass, cover red without dropehole, IP56



Products may differ in size, colour and appearance to those shown. If you require further information or customisation, please contact us directly.



WISKA-Order no.	10109915
Type	1131/CR/L/rd/oT/1975-1xZ14
Material	Brass
Material globe/diffuser	Polycarbonate
Globe colour	Red
Wattage	23 W
Voltage	230 V
Type of Voltage	AC
Protection class	IP56
Temp. range min	-25 °C
Temp. range max	45 °C
Lampholder	B22d
Number of lampholder	1 ST
Lightsource	variable (B22)
Lightsource incl.	No
Bulb shape	rod shaped
Type of cable gland	M24x1,5 Z 14 / 12-14,5mm
Material cable gland	Brass
Using for cable gland	
Type of cable	armoured
Ø cable diameter min	12 mm
Ø cable diameter max	14,5 mm
Mounting	Ceiling, Upside down, Surface mounting
Equipment	without drope hole
External dimensions LxWxH	232x116mm

Your Contact:

WISKA Hoppmann GmbH

Kisdorfer Weg 28 · 24568 Kaltenkirchen · Germany

☎ +49-4191-508-0 · 📠 +49-4191-508-209

contact@wiska.de · www.wiska.com

Weight	1,01 kg
Approval	RMRS, DNV-GL

Spare parts

SP-1975 Lampholder B22d, HNA	22001038
-------------------------------------	----------

12.05.2026

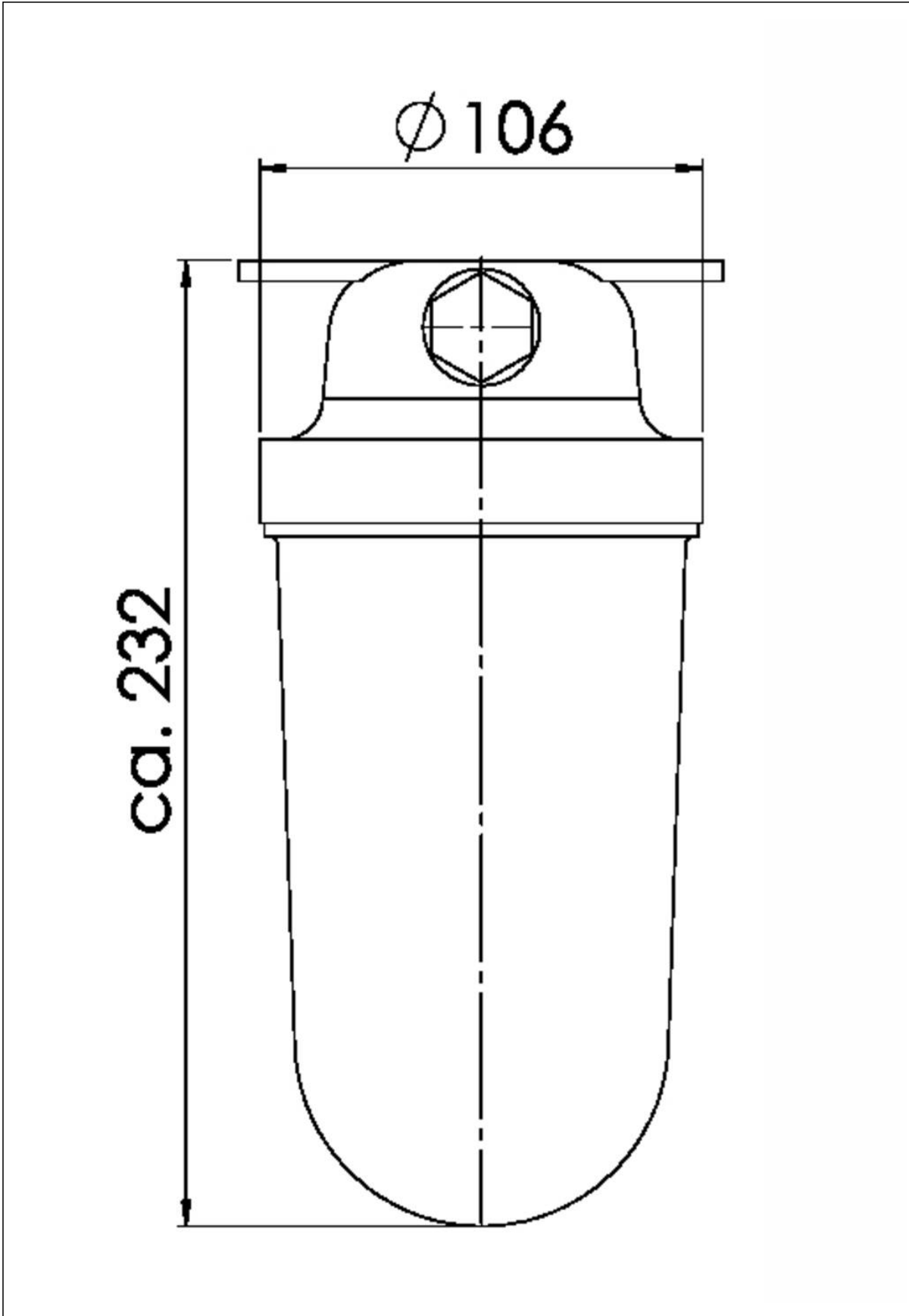
Your Contact:

WISKA Hoppmann GmbH

Kisdorfer Weg 28 · 24568 Kaltenkirchen · Germany

☎ +49-4191-508-0 · 📠 +49-4191-508-209

contact@wiska.de · www.wiska.com



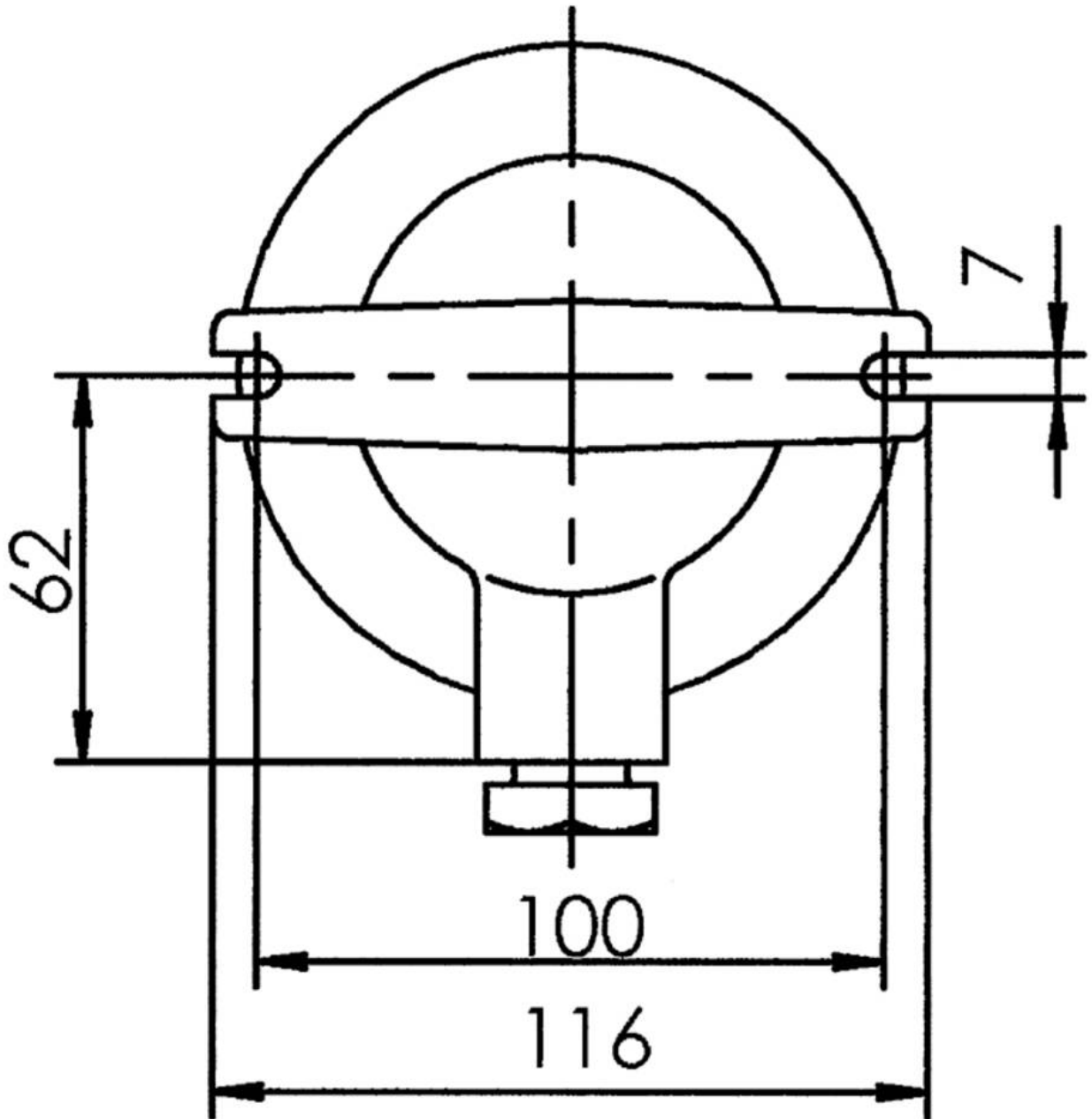
Your Contact:

WISKA Hoppmann GmbH

Kisdorfer Weg 28 · 24568 Kaltenkirchen · Germany

☎ +49-4191-508-0 · 📠 +49-4191-508-209

contact@wiska.de · www.wiska.com



Your Contact:

WISKA Hoppmann GmbH

Kisdorfer Weg 28 · 24568 Kaltenkirchen · Germany

☎ +49-4191-508-0 · 📠 +49-4191-508-209

contact@wiska.de · www.wiska.com