

D100/42212/IP/PTZ/P

IP outdoor PTZ compact camera station, zoom 12x optical



Products may differ in size, colour and appearance to those shown. If you require further information or customisation, please contact us directly.

Type	D100/42212/IP/PTZ/P
WISKA-Order no.	10109924
Material	PBT
Colour	Black
Material Dome	polycarbonate
Operational areas	Outdoor, Indoor
Weight	2 kg
Protection class	IP66 / IP68
Temp. range min	-30 °C
Temp. range max	60 °C
Humidity	100 %
Wash&Wipe	No
Resolution	HDTV 1080p (2MP)
Image Sensor	1/2.8" Starvis CMOS
Video Standard	Digital
Video Streaming	H.264/MJPEG
Zoom	Yes
Zoom (opt. x digi.)	192 (opt: 12x digi: 16x)
Frames per Second	25
Lighting Conditions	Low light
Min. illumination	0,005 lx / 0,0005 lx (b/w)
Angle of View (horizontal)	58,2° - 4,8°
Angle of View (vertical)	32.9° - 2.8°
Pan/Tilt	Remote operated
P/T-Type	included

Your Contact:

WISKA Hoppmann GmbH

Kisdorfer Weg 28 · 24568 Kaltenkirchen · Germany

☎ +49-4191-508-0 · 📠 +49-4191-508-209

contact@wiska.de · www.wiska.com

Presets P/T	Yes
Rotation horizontal	360 °
Rotation vertical	180°
Mounting	vertical, Upside down
Type of Voltage	POE+ (IEEE 802.at)
Wattage	12 W
Junction box required	Yes
CCTV add-on	BLC, HLC, WDR
Tariff number	85255000

Remarks:

IP Dome Camera, IP66/68,
 vandal resistant PBT housing with
 Polycarbonate dome,
 Resolution: 2MP / 1080p / @ 25/30fps
 Zoom: 12x (optical) / 16x (digital), PTZ, preset,
 endless rotation, low light / starlight technology,
 Power: POE +
 5m connection cable

Recommended accessories

IBS1515/EXT/IP	10109296
-----------------------	----------

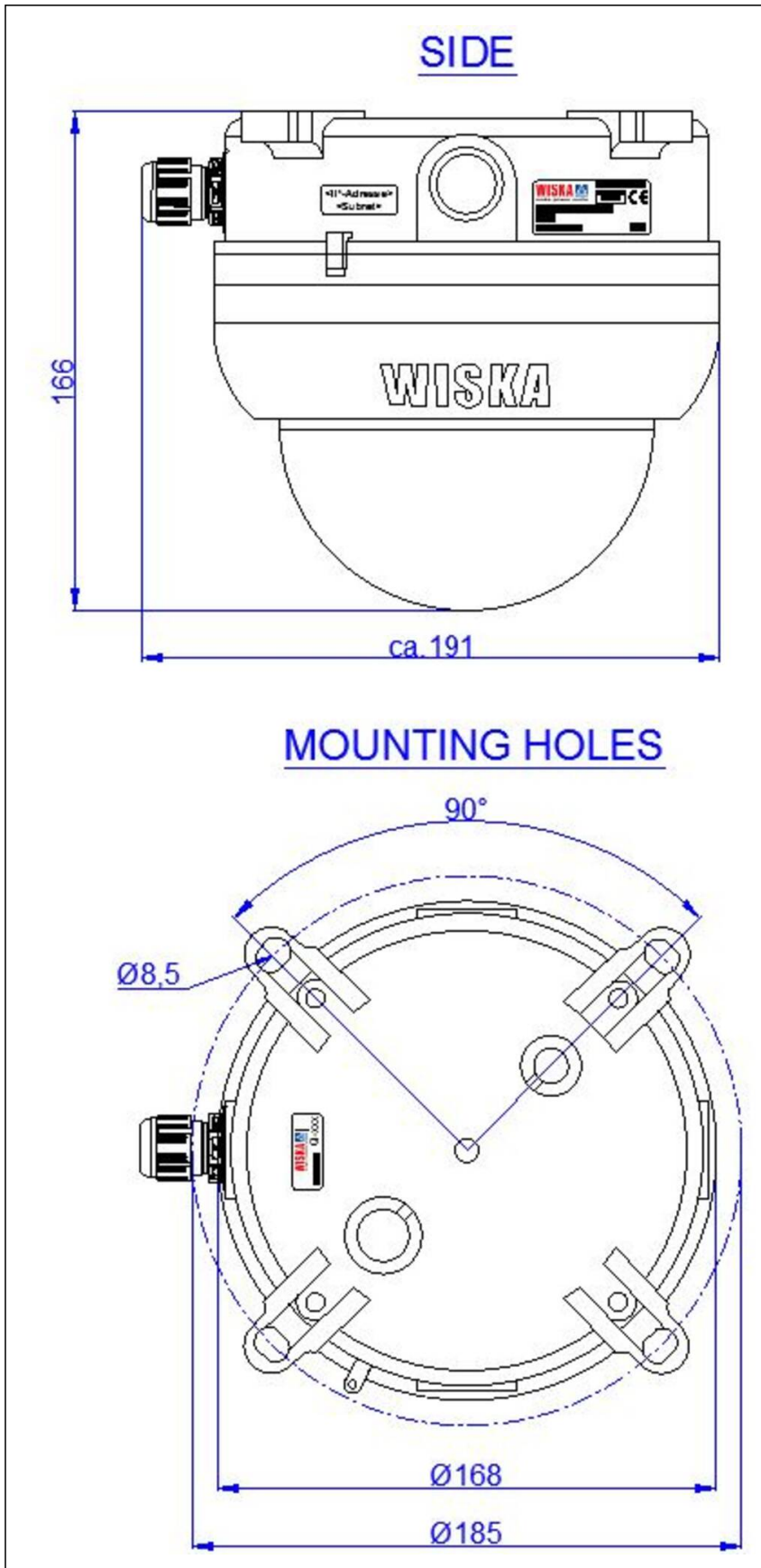
Spare parts

SP-CCTV Dome Globe D100	22001314
--------------------------------	----------

12.05.2026

Your Contact:

WISKA Hoppmann GmbH
 Kisdorfer Weg 28 · 24568 Kaltenkirchen · Germany
 ☎ +49-4191-508-0 · 📠 +49-4191-508-209
 contact@wiska.de · www.wiska.com



Your Contact:

WISKA Hoppmann GmbH

Kisdorfer Weg 28 · 24568 Kaltenkirchen · Germany

☎ +49-4191-508-0 · 📠 +49-4191-508-209

contact@wiska.de · www.wiska.com