

Light intensity mio/cd	92
Divergence	2,7°/1/10
Temp. range min	-55 °C
Temp. range max	45 °C
Power supply, electronic	PSUX-E: 2000W indoor
Type of cable gland	M 25 x 1,5
Material cable gland	Brass
Type of cable	non-armoured
Ø cable diameter min	8 mm
Ø cable diameter max	10,5 mm
Globe colour	Clear
Mounting	Upside
Tariff number	94054910

Remarks:

SX450: Searchlight with xenon short arc lamp 2000W, IP56 glass parabolic mirror 450mm
2000W

EI(220): Electronic power supply unit PSUX-EI inside IP44 + fan, 230V

P27: Pan and Tilt unit FL52, 230V

R07: Remote control unit RCU-E-F, 230V Focus for PSU

I10: with electric focus and ICE searchlight with special heating and cable

Equipment:

- Toughened front glass
- Rubber sealing
- Quick fastening devices
- Ignition unit
- Stand-by heater
- Connection cable 3m
- Anti dazzle screen

Spare parts

SP-S-450 front frame + front glass	22000018
SP-SX/SH-450 Primary mirror	22000019
SP-SX/SH-450 Auxiliary reflector 100mm	22000020
SP-SX450 Blower kit for searchlight head	22000025
SP-SX450 Thermostat for blower 50°C	22000026
SP-S-Standby heating unit	22000027
SP-SX450 Focus motor kit	22000028
SP-S-Quick releases clamp (4 pcs)	22000050

Your Contact:

WISKA Hoppmann GmbH

Kisdorfer Weg 28 · 24568 Kaltenkirchen · Germany

☎ +49-4191-508-0 · 📠 +49-4191-508-209

contact@wiska.de · www.wiska.com

SP-S-Searchlight silicone 310ml	22000067
SP-SW-Gasket for searchlight housing	22000116
SP-SX450 Xenon lamp Kit 2000W (from2012)	22000234
SP-S-FL52 Motor Unit Tilt (V) 230VAC	22001025
SP-S-FL52 Motor Unit Pan (H) 230VAC	22001026
SP-S-FL52 Cover sealing set	22001027
SP-S-FL52 Limit Switch Unit Tilt (V)	22001028
SP-S-FL52 Toothed wheel (H)	22001029
SP-S-FL52 Circuit board 230VAC	22001030
SP-S-FL52 Limit Switch Pan (H)	22001031
SP-S-FL52 Limit Switch Tilt (V)	22001032
SP-S-FL52 Motor Plate Tilt (V) 230VAC	22001033
SP-S-FL52 Internal control cable 7G1.0	22001034

12.05.2026

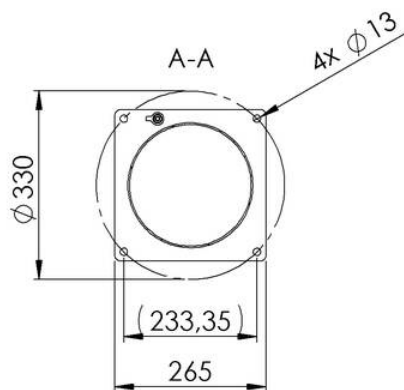
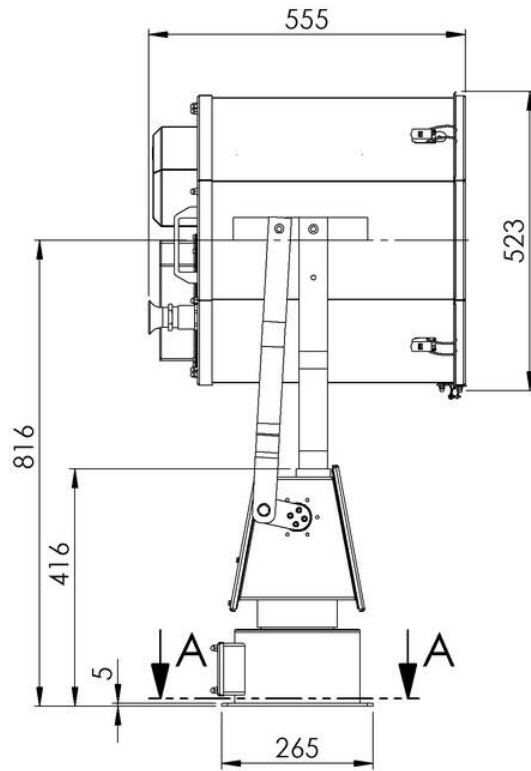
Your Contact:

WISKA Hoppmann GmbH

Kisdorfer Weg 28 · 24568 Kaltenkirchen · Germany

☎ +49-4191-508-0 · 📠 +49-4191-508-209

contact@wiska.de · www.wiska.com



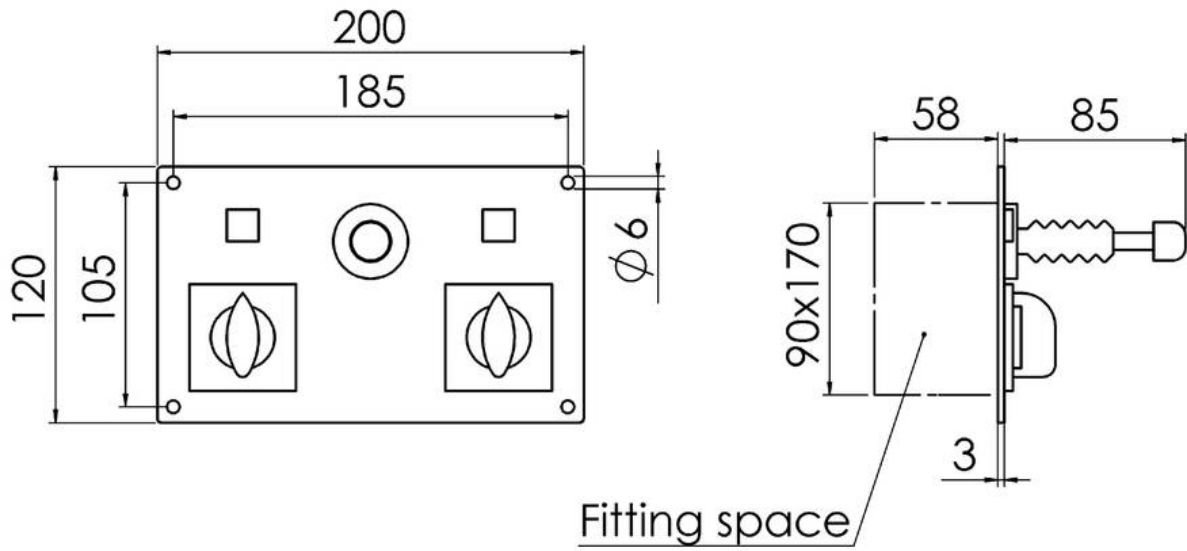
Your Contact:

WISKA Hoppmann GmbH

Kisdorfer Weg 28 · 24568 Kaltenkirchen · Germany

☎ +49-4191-508-0 · 📠 +49-4191-508-209

contact@wiska.de · www.wiska.com



Your Contact:

WISKA Hoppmann GmbH

Kisdorfer Weg 28 · 24568 Kaltenkirchen · Germany

☎ +49-4191-508-0 · 📠 +49-4191-508-209

contact@wiska.de · www.wiska.com