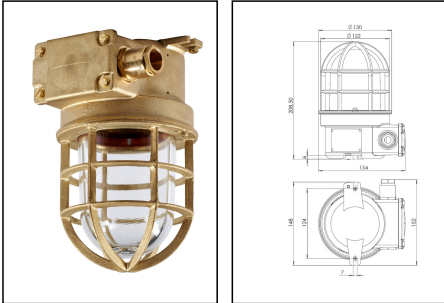



## Ex-525/1x24-Z16

Ex multi-purpose luminaire 525 protection guard brass max. 60W 230V E27 IP66/67



Products may differ in size, colour and appearance to those shown. If you require further information or customisation, please contact us directly.



<b>WISKA-Order no.</b>	10110379
<b>Type</b>	Ex-525/1x24-Z16
<b>Material</b>	Brass
<b>Globe colour</b>	Clear
<b>Material guard</b>	Brass
<b>Voltage</b>	230 V
<b>Voltage max. (V)</b>	250 V
<b>Type of Voltage</b>	AC
<b>Frequence</b>	50/60 Hz
<b>Protection class</b>	IP66 / IP67
<b>Operational areas</b>	Outdoor, Explosion protection
<b>Temp. range min</b>	-40 °C
<b>Temp. range max</b>	55 °C
<b>Lampholder</b>	E27
<b>Number of lampholder</b>	1 ST
<b>Lightsource</b>	Incandescent lamp, variable, Fluorescent lamp, LED
<b>Lightsource incl.</b>	No
<b>Type of cable gland</b>	M24x1,5 Z 16 / 14-16,5mm
<b>Material cable gland</b>	Brass
<b>Using for cable gland</b>	
<b>Type of cable</b>	armoured
<b>Ø cable diameter min</b>	14 mm
<b>Ø cable diameter max</b>	16,5 mm
<b>Mounting</b>	Upside, Upside down
<b>Approval</b>	IECEx EPS 17.0060X, EPS 17 ATEX 1 120 X

Your Contact:

WISKA Hoppmann GmbH

Kisdorfer Weg 28 · 24568 Kaltenkirchen · Germany

☎ +49-4191-508-0 · 📠 +49-4191-508-209

contact@wiska.de · www.wiska.com

<b>Zone</b>	1, 21
<b>Weight</b>	3,47 kg

Remarks:

Ex multi-purpose luminaire 525  
 with protection guard,  
 brass, up to T6, max. 60W, IP66/IP67  
 Ignition protection: de  
 Explosion protection:  
 II 2G Ex db eb IIB+H2 T6/T5/T4 Gb  
 II 2G Ex db eb op is IIB+H2 T6 Gb (with LED)  
 II 2D Ex tb IIIC T85°C/T100°C/T135°C Db  
 II 2D Ex tb op is IIIC T85°C Db (with LED)  
 Zone: 1  
 Certificate: EPS 17 ATEX 1 120 X  
 IECEx EPS 17.0060X  
 Lampholder: E27  
 1 cable gland Ex-KVM24x1,5-Z16 -O  
 + 1 Blind plug Ex-VSM 24x1,5

**Recommended accessories**

<b>SP-LED Lamp 9W 230V E27 827</b>	22000689
<b>SP-Incandescent lamp 60W 230V E27</b>	22000983

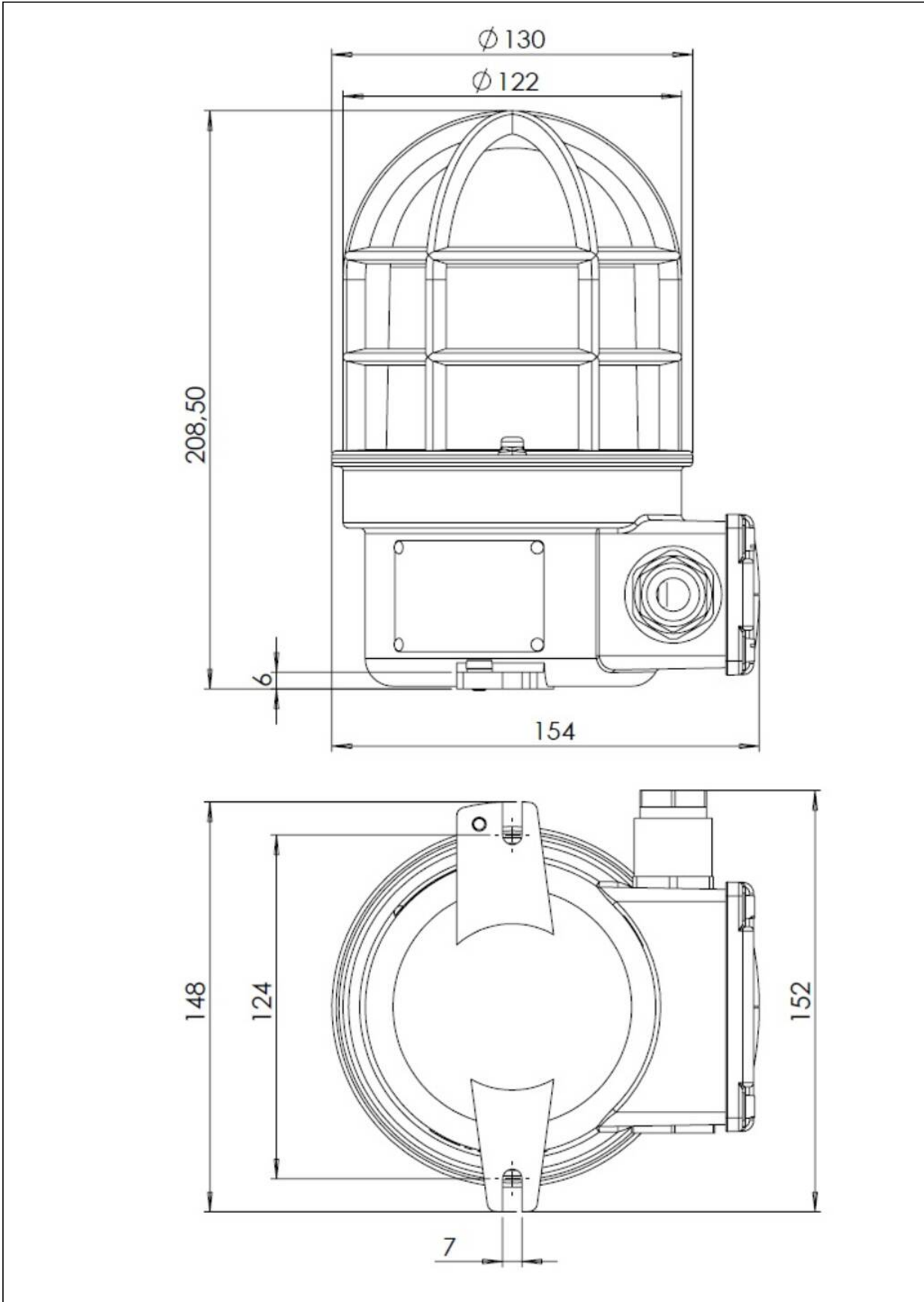
**Spare parts**

<b>SP-1974 Lampholder with 2 mounting feet</b>	22000192
<b>SP-525 Glass with protection guard</b>	22001003

23.05.2026

Your Contact:

**WISKA Hoppmann GmbH**  
 Kisdorfer Weg 28 · 24568 Kaltenkirchen · Germany  
 ☎ +49-4191-508-0 · 📠 +49-4191-508-209  
 contact@wiska.de · www.wiska.com



Your Contact:

**WISKA Hoppmann GmbH**

Kisdorfer Weg 28 · 24568 Kaltenkirchen · Germany

☎ +49-4191-508-0 · 📠 +49-4191-508-209

contact@wiska.de · www.wiska.com