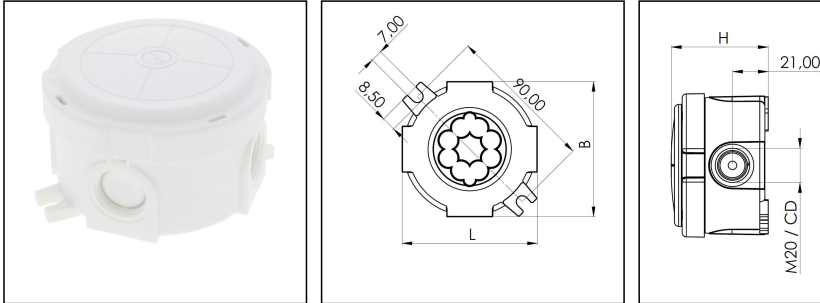


## COMBI 304/5 WH

Junction box, round Ø 87 x 57mm, Polypropylene, RAL 9001, with terminal



Products may differ in size, colour and appearance to those shown. If you require further information or customisation, please contact us directly.



|                                     |                             |
|-------------------------------------|-----------------------------|
| <b>Material</b>                     | Polypropylene               |
| <b>Material sealing gasket</b>      | TPE                         |
| <b>Temp. range min</b>              | -30 °C                      |
| <b>Temp. range max</b>              | 100 °C                      |
| <b>Temperatures during install.</b> | -5 °C - 60 °C               |
| <b>Protection class</b>             | IP66 / IP67                 |
| <b>Glow wire test</b>               | 750 °C                      |
| <b>Voltage</b>                      | 400 V                       |
| <b>Rated current / A (Terminal)</b> | 32 A                        |
| <b>Rated cross section</b>          | 2,5 mm <sup>2</sup>         |
| <b>Terminals/poles</b>              | 5-pole, 4,0 mm <sup>2</sup> |
| <b>Fixing</b>                       | 2 external mounting feet    |
| <b>Ø cable diameter min</b>         | 3 mm                        |
| <b>Ø cable diameter max</b>         | 12 mm                       |
| <b>External dimensions LxWxH</b>    | Ø 87 x 57 mm                |
| <b>Type of cable gland</b>          | M 20 x 1,5                  |
| <b>Product Color</b>                | RAL 9001                    |
| <b>WISKA-Order no.</b>              | 10110634                    |
| <b>Type</b>                         | COMBI 304/5 WH              |
| <b>Packing unit</b>                 | 5                           |
| <b>ETIM-Classification</b>          | EC002600                    |
| <b>EAN number</b>                   | 4007686257816               |
| <b>Tariff number</b>                | 85369010                    |

Remarks:

Your Contact:

WISKA Hoppmann GmbH

Kisdorfer Weg 28 · 24568 Kaltenkirchen · Germany

☎ +49-4191-508-0 · 📠 +49-4191-508-209

contact@wiska.de · www.wiska.com

**IP66: using the membrane entry**

**IP67: using the threaded entry together with ESKV cable gland**

**Equipment:**



- 4 M20 threaded membrane entries
- inclusive terminal block 5-poles, 4mm<sup>2</sup>

22.05.2026

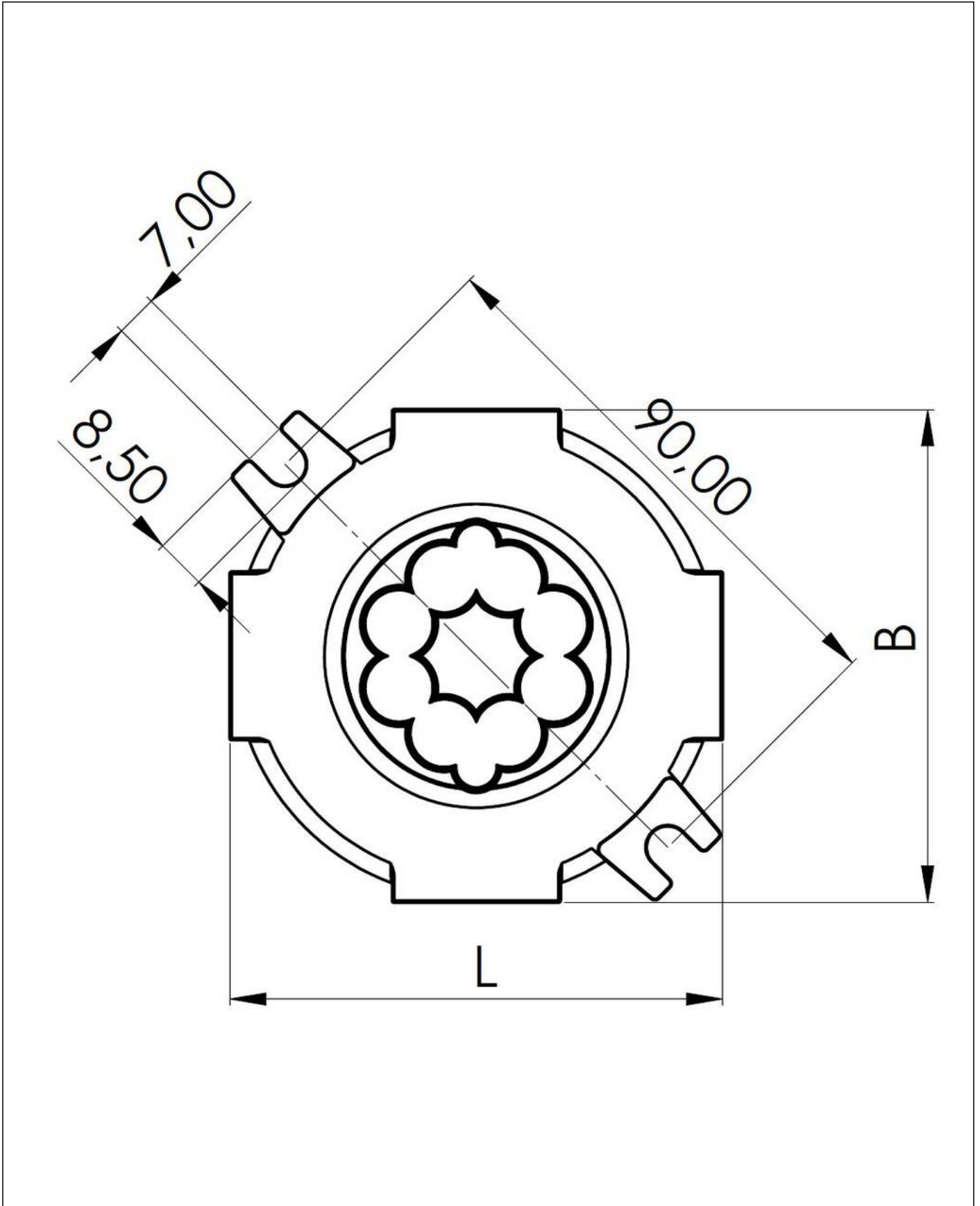
Your Contact:

**WISKA Hoppmann GmbH**

Kisdorfer Weg 28 · 24568 Kaltenkirchen · Germany

 +49-4191-508-0 ·  +49-4191-508-209

[contact@wiska.de](mailto:contact@wiska.de) · [www.wiska.com](http://www.wiska.com)



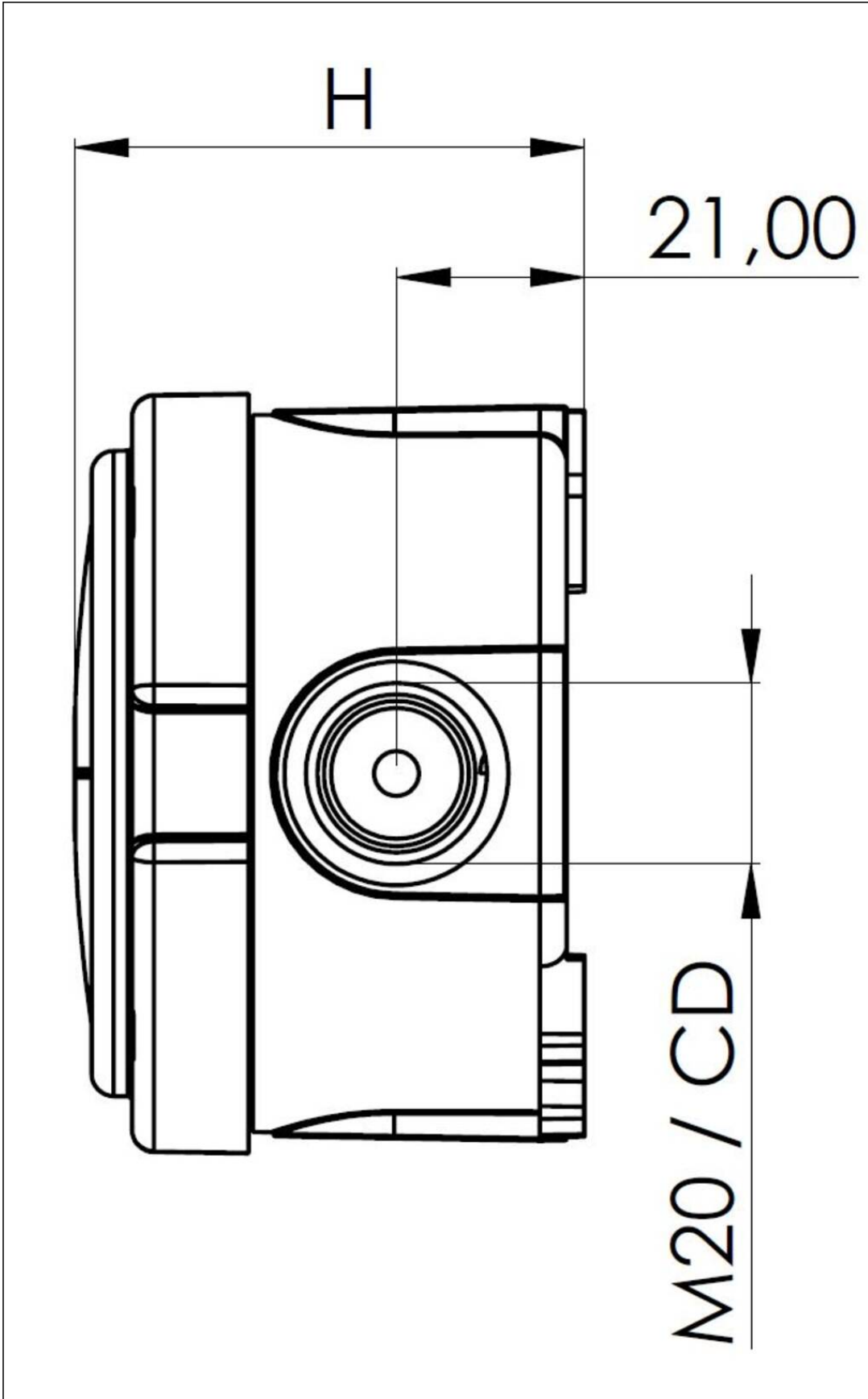
Your Contact:

**WISKA Hoppmann GmbH**

Kisdorfer Weg 28 · 24568 Kaltenkirchen · Germany

☎ +49-4191-508-0 · 📠 +49-4191-508-209

contact@wiska.de · www.wiska.com



Your Contact:

**WISKA Hoppmann GmbH**

Kisdorfer Weg 28 · 24568 Kaltenkirchen · Germany

☎ +49-4191-508-0 · 📠 +49-4191-508-209

contact@wiska.de · www.wiska.com