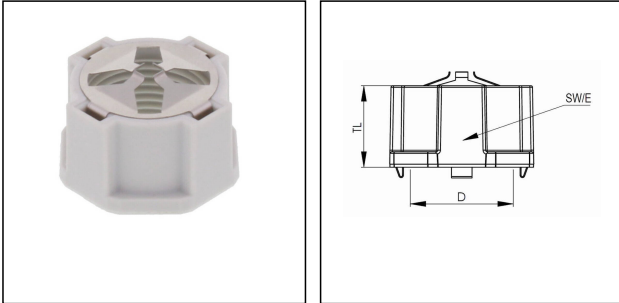


MagikNUT 16 LG

EMC Locknut, polyamide / stainless steel, RAL 7035, M16



Products may differ in size, colour and appearance to those shown. If you require further information or customisation, please contact us directly.



Material	Polyamide, Stainless steel
Temp. range min	-40 °C
Temp. range max	100 °C
Thread type	M
Ø Connection thread D	16
Lead	1,5
Total length TL	15,8 mm
Key width SW	24 mm
Collar diameter (E)	25 mm
Cable Ø shield external	3,5 mm - 9 mm
Product Color	RAL 7035
Order no. RAL 7035	10110660
Type	MagikNUT 16 LG
Packing unit	25
EAN number	4007686272291
Tariff number	39174000
ETIM-Classification	EC000940

Recommended accessories

ESKV-L 16 LG	10066391
ESKV 16 LG	10066411

23.05.2026

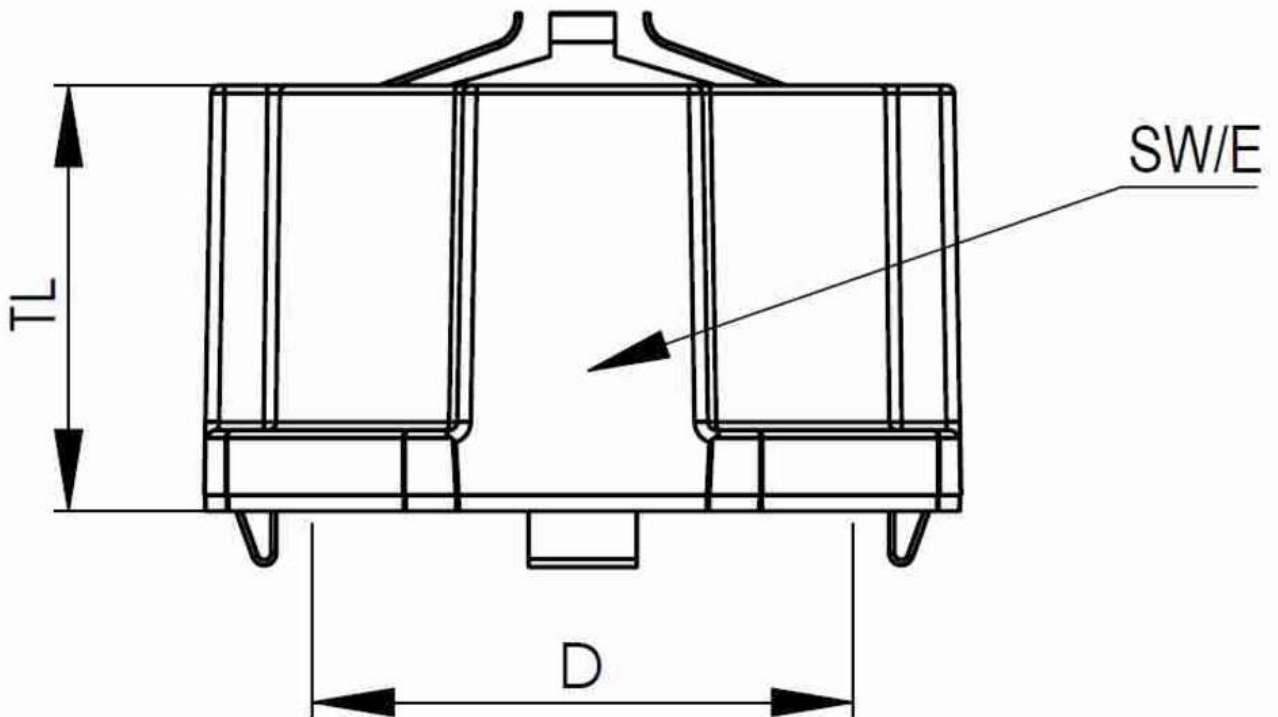
Your Contact:

WISKA Hoppmann GmbH

Kisdorfer Weg 28 · 24568 Kaltenkirchen · Germany

☎ +49-4191-508-0 · 📠 +49-4191-508-209

contact@wiska.de · www.wiska.com



Your Contact:

WISKA Hoppmann GmbH

Kisdorfer Weg 28 · 24568 Kaltenkirchen · Germany

☎ +49-4191-508-0 · 📠 +49-4191-508-209

contact@wiska.de · www.wiska.com