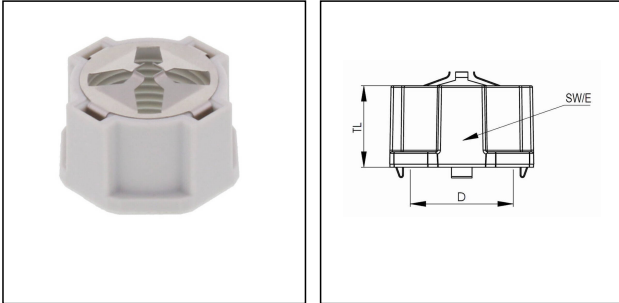


MagikNUT 20 LG

EMC Locknut, polyamide / stainless steel, RAL 7035, M20



Products may differ in size, colour and appearance to those shown. If you require further information or customisation, please contact us directly.



Material	Polyamide, Stainless steel
Temp. range min	-40 °C
Temp. range max	100 °C
Thread type	M
Ø Connection thread D	20
Lead	1,5
Total length TL	15,8 mm
Key width SW	28 mm
Collar diameter (E)	30 mm
Cable Ø shield external	5 mm - 12 mm
Product Color	RAL 7035
Order no. RAL 7035	10110661
Type	MagikNUT 20 LG
Packing unit	25
EAN number	4007686272314
Tariff number	39174000
ETIM-Classification	EC000940

Recommended accessories

ESKV-L 20 LG	10066392
ESKV 20 LG	10066412

23.05.2026

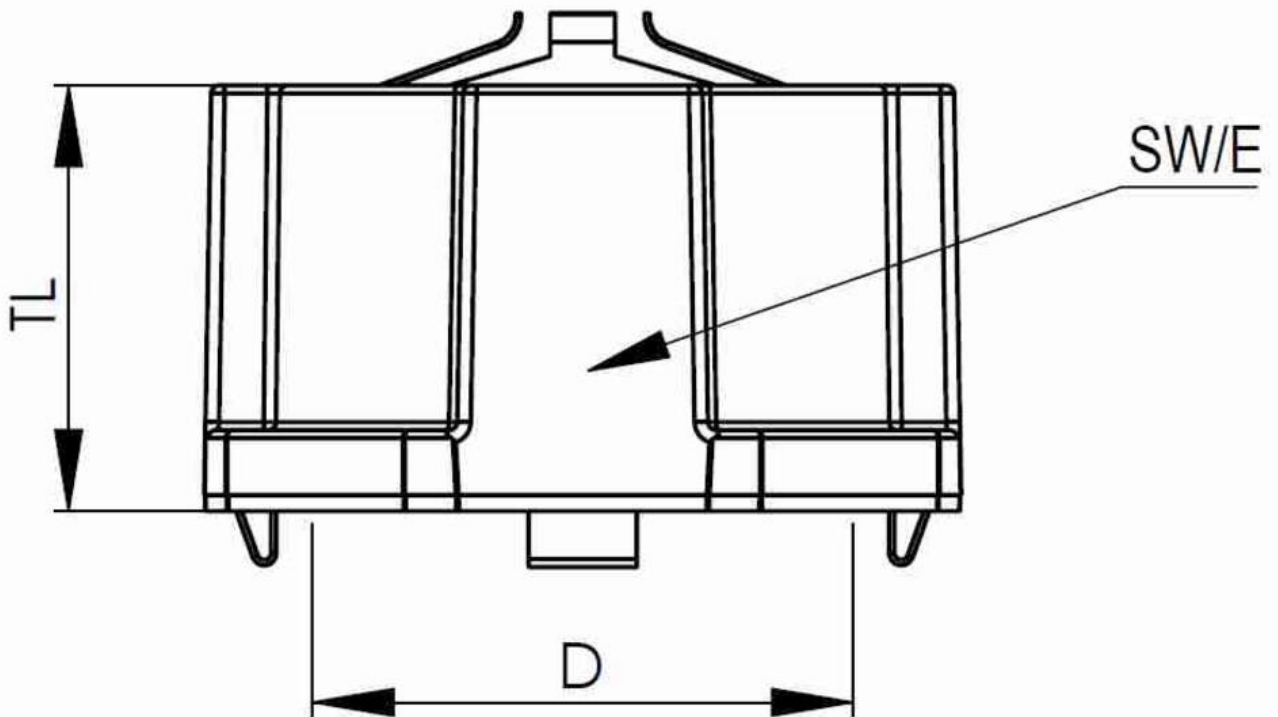
Your Contact:

WISKA Hoppmann GmbH

Kisdorfer Weg 28 · 24568 Kaltenkirchen · Germany

☎ +49-4191-508-0 · 📠 +49-4191-508-209

contact@wiska.de · www.wiska.com



Your Contact:

WISKA Hoppmann GmbH

Kisdorfer Weg 28 · 24568 Kaltenkirchen · Germany

☎ +49-4191-508-0 · 📠 +49-4191-508-209

contact@wiska.de · www.wiska.com