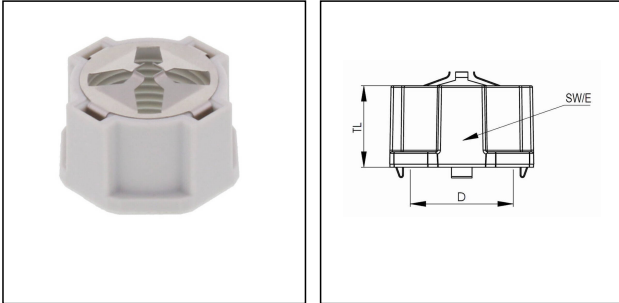


MagikNUT 25 LG

EMC Locknut, polyamide / stainless steel, RAL 7035, M25



Products may differ in size, colour and appearance to those shown. If you require further information or customisation, please contact us directly.



Material	Polyamide, Stainless steel
Temp. range min	-40 °C
Temp. range max	100 °C
Thread type	M
Ø Connection thread D	25
Lead	1,5
Total length TL	15,8 mm
Key width SW	33 mm
Collar diameter (E)	35 mm
Cable Ø shield external	7,5 mm - 15,5 mm
Product Color	RAL 7035
Order no. RAL 7035	10110662
Type	MagikNUT 25 LG
Packing unit	25
EAN number	4007686272369
Tariff number	39174000
ETIM-Classification	EC000940

Recommended accessories

ESKV-L 25 LG	10066393
ESKV 25 LG	10066413

23.05.2026

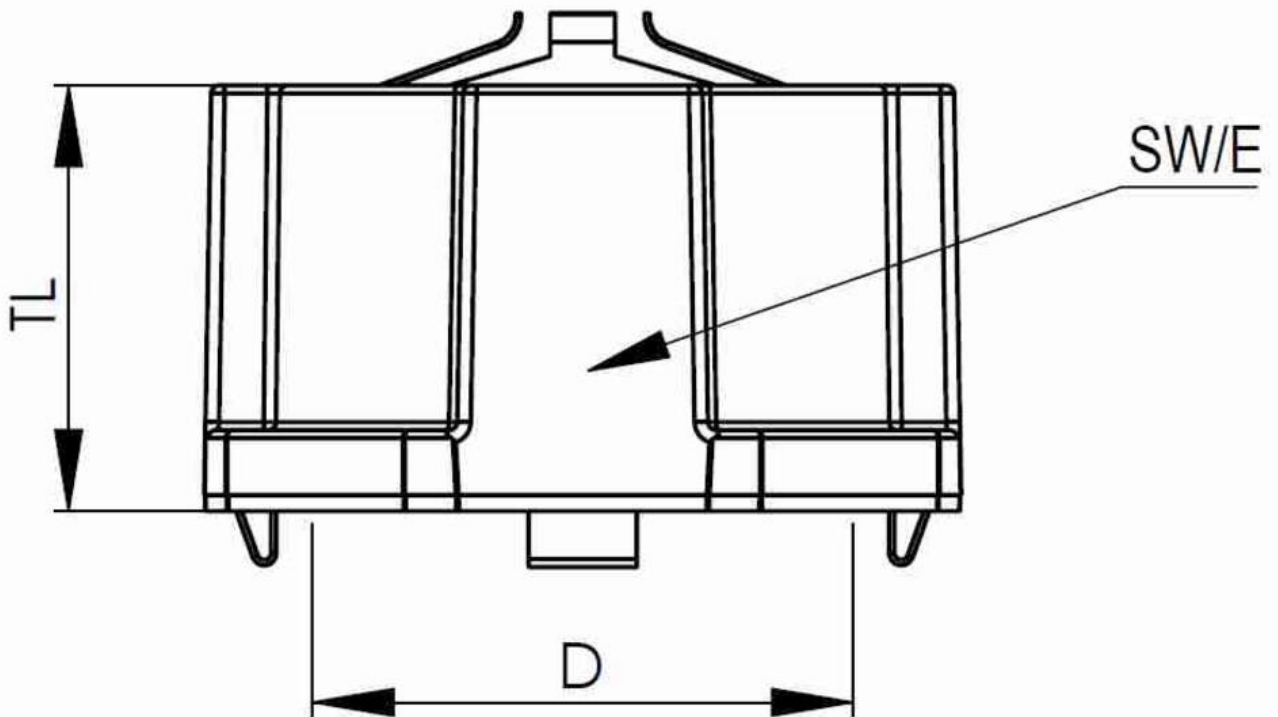
Your Contact:

WISKA Hoppmann GmbH

Kisdorfer Weg 28 · 24568 Kaltenkirchen · Germany

☎ +49-4191-508-0 · 📠 +49-4191-508-209

contact@wiska.de · www.wiska.com



Your Contact:

WISKA Hoppmann GmbH

Kisdorfer Weg 28 · 24568 Kaltenkirchen · Germany

☎ +49-4191-508-0 · 📠 +49-4191-508-209

contact@wiska.de · www.wiska.com