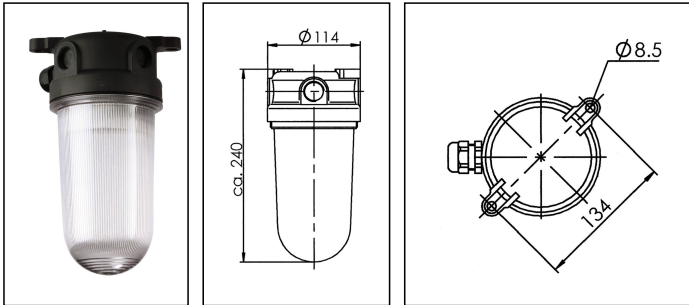



2000/LED-M/clear/5W/NPT3/4/EVPS12

LED multi-purpose luminare 2000 IP68, plastic, 5W, Cover clear



Products may differ in size, colour and appearance to those shown. If you require further information or customisation, please contact us directly.



| | |
|----------------------------------|---|
| WISKA-Order no. | 10110717 |
| Type | 2000/LED-M/clear/5W/NPT3/4/EVPS12 |
| Material | PBT |
| Material globe/diffuser | Polycarbonate |
| Globe colour | Clear |
| Power[^] | 1 x 5 W |
| Wattage | 5 W |
| Voltage | 230 V |
| Voltage max. (V) | 230 V |
| Protection class | IP68 (0,2bar, 30min) |
| Temp. range min | -30 °C |
| Temp. range max | 45 °C |
| Lampholder | LED-M |
| Lightsource | LED |
| Lightsource incl. | Yes |
| Colour temperature | 4000 K |
| Luminous flux | 869 lm |
| Light colour | 840 (cool white) |
| Average lamp durability | 55000 h |
| Material cable gland | Polyamide |
| Type of cable gland | NPT 3/4" / 9-17mm |
| Using for cable gland |  |
| Ø cable diameter min | 9 mm |
| Ø cable diameter max | 17 mm |
| External dimensions LxWxH | 240x134mm |

Your Contact:

WISKA Hoppmann GmbH

Kisdorfer Weg 28 · 24568 Kaltenkirchen · Germany

☎ +49-4191-508-0 · 📠 +49-4191-508-209

contact@wiska.de · www.wiska.com

| | |
|----------------------|--|
| Weight | 0,66 kg |
| Approval | RMRS, DNV-GL |
| Colour | Black |
| Mounting | Upside, Upside down, Ceiling, Surface mounting |
| Equipment | 4 threaded knockout entry M20 |
| Tariff number | 85318070 |

Remarks:

- LED multi-purpose luminaire made of impact and water resistant plastic
- protection class IP 68 (2 bar – 30 min)
- 1 cable gland NPT 3/4" (9 – 17mm) and 1 VentPLUG pressure compensation plug
- clear cover
- LED Light module 5W 230V 840 mounted

Spare parts

| | |
|---------------------------------------|----------|
| SP-1131-2000 ST/LED 230Vac/840 | 22001154 |
|---------------------------------------|----------|

23.05.2026

Your Contact:

WISKA Hoppmann GmbH

Kisdorfer Weg 28 · 24568 Kaltenkirchen · Germany

☎ +49-4191-508-0 · 📠 +49-4191-508-209

contact@wiska.de · www.wiska.com



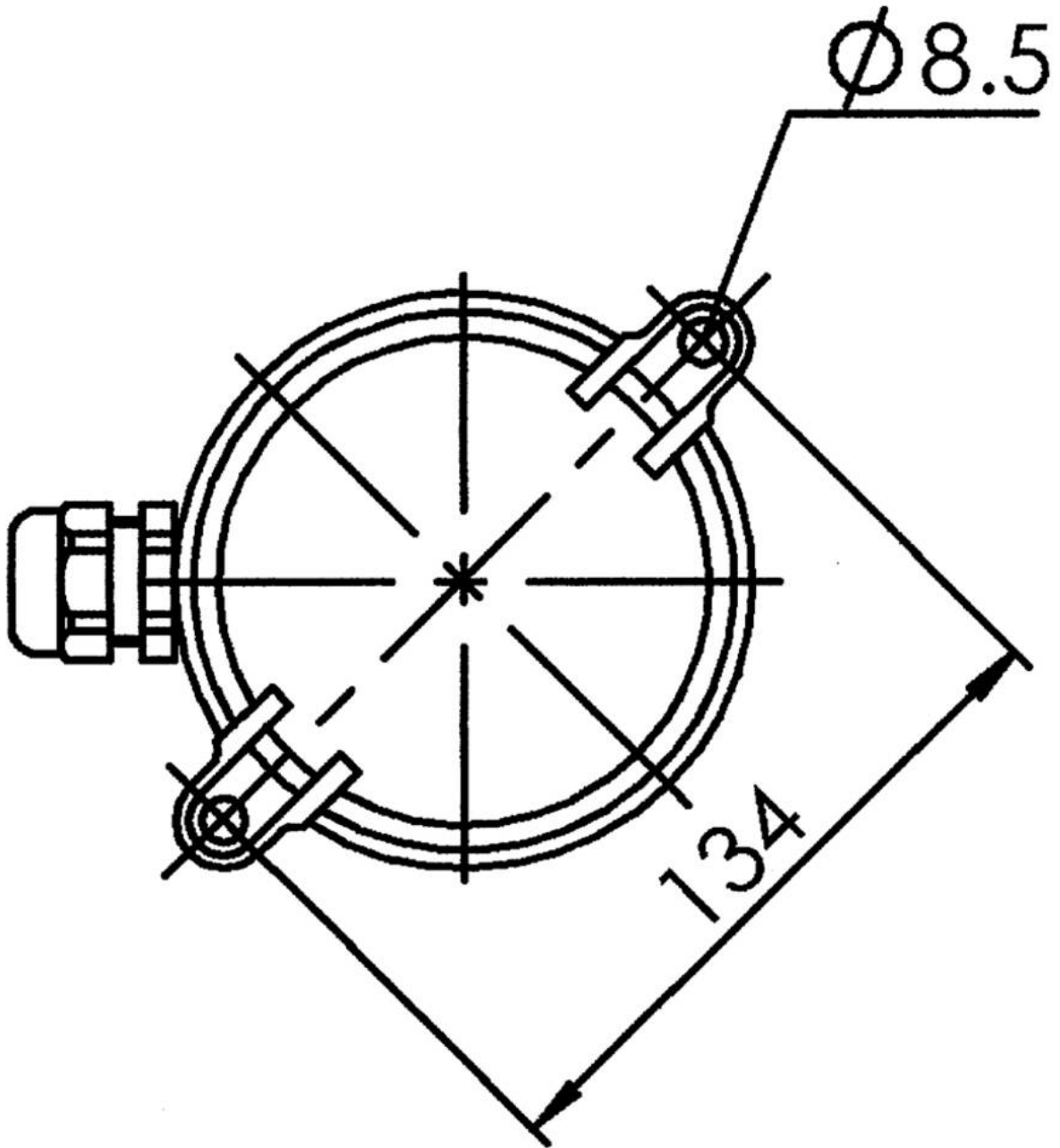
Your Contact:

WISKA Hoppmann GmbH

Kisdorfer Weg 28 · 24568 Kaltenkirchen · Germany

☎ +49-4191-508-0 · 📠 +49-4191-508-209

contact@wiska.de · www.wiska.com



Your Contact:

WISKA Hoppmann GmbH

Kisdorfer Weg 28 · 24568 Kaltenkirchen · Germany

☎ +49-4191-508-0 · 📠 +49-4191-508-209

contact@wiska.de · www.wiska.com