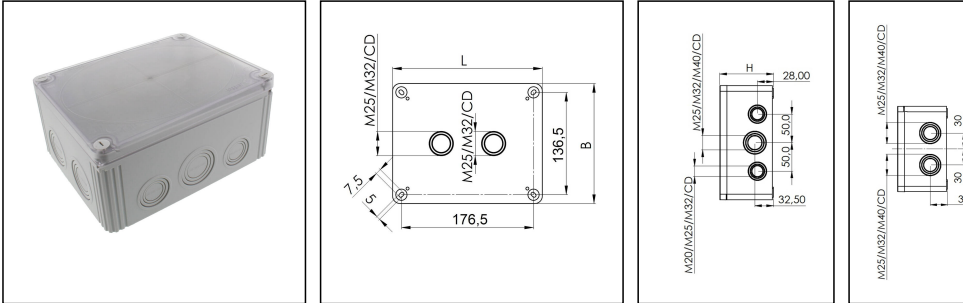


COMBI 1610 LG DK

Junction box 200x160x94mm, polycarbonate, RAL 7035, clear cover



Products may differ in size, colour and appearance to those shown. If you require further information or customisation, please contact us directly.



Material	Polycarbonate
Material sealing gasket	PU
Temp. range min	-30 °C
Temp. range max	100 °C
Temperatures during install.	-5 °C - 60 °C
Protection class	IP66 / IP67
Glow wire test	960 °C
Voltage	690 V
Rated cross section	16 mm ²
External dimensions LxWxH	200 x 160 x 94 mm
Product Color	RAL 7035
Order no. RAL 7035	10110737
Type	COMBI 1610 LG DK
Packing unit	1
ETIM-Classification	EC002600
EAN number	4007686251722
Tariff number	39269097

Remarks:

IP66: using the QUIXX self sealing membrane screw
 IP67: using the knockout entry together with ESKV cable gland

Equipment:

- 10 knockouts side 6x M25/M32/M40; 4x M20/M25/M32
- 2 knockouts in the bottom 2x M25/M32
- 4 captive cover screws

Your Contact:

WISKA Hoppmann GmbH
 Kisdorfer Weg 28 · 24568 Kaltenkirchen · Germany
 ☎ +49-4191-508-0 · 📠 +49-4191-508-209
 contact@wiska.de · www.wiska.com

- including 3 QUIXX membrane spout EMT 32
- CD (cable diameter) 6-28mm
- Colour casing: RAL 7035 (grey)
- Colour lid: clear

Mounting:

4 internal openings outside of the sealing area

Recommended accessories

External mounting - COMBI LG	10108836
SP-HKT 1610 Terminal block	22001224

23.05.2026

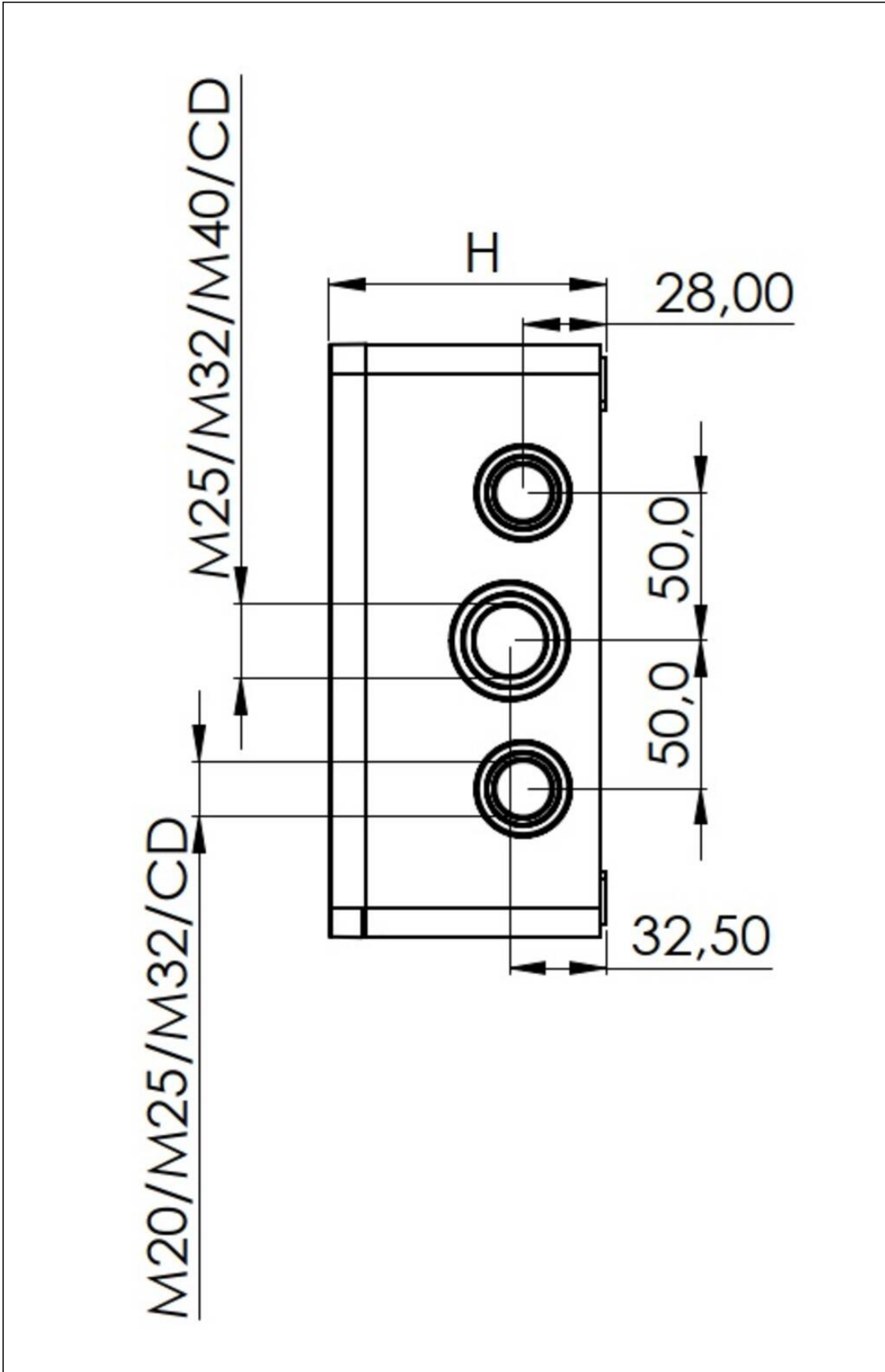
Your Contact:

WISKA Hoppmann GmbH

Kisdorfer Weg 28 · 24568 Kaltenkirchen · Germany

☎ +49-4191-508-0 · 📠 +49-4191-508-209

contact@wiska.de · www.wiska.com



Your Contact:

WISKA Hoppmann GmbH

Kisdorfer Weg 28 · 24568 Kaltenkirchen · Germany

☎ +49-4191-508-0 · 📠 +49-4191-508-209

contact@wiska.de · www.wiska.com