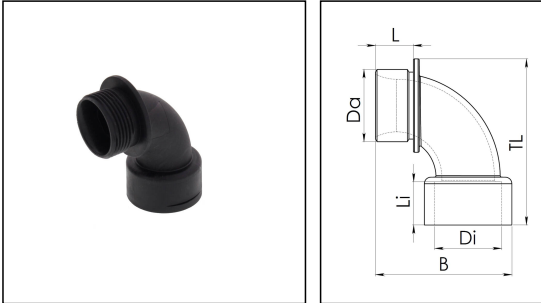


EWI90 20 BK

Elbow 90° polyamide, RAL 9005, M20



Products may differ in size, colour and appearance to those shown. If you require further information or customisation, please contact us directly.



Material	Polyamide UL94-V0
Temp. range min	-40 °C
Temp. range max	100 °C
Hazard level EN acc. 45545	R22=HL3 / R23=HL3 / R24=HL3
Thread type	M
Ø Connection thread D	20
Lead	1,5
Length screw-in thread L	12 mm
Total length TL	50 mm
Width B	41 mm
Length internal thread	13,2 mm
Type of conduit fitting	90° Angle
Product Color	RAL 9005
Order no. RAL 9005	10110784
Type	EWI90 20 BK
Packing unit	10
EAN number	4007686257526
Tariff number	39269097
ETIM-Classification	EC000441

Recommended accessories

EMUG 20 BK	10061782
EADR 20	10062803

Your Contact:

WISKA Hoppmann GmbH

Kisdorfer Weg 28 · 24568 Kaltenkirchen · Germany

☎ +49-4191-508-0 · 📠 +49-4191-508-209



contact@wiska.de · www.wiska.com

26.06.2026

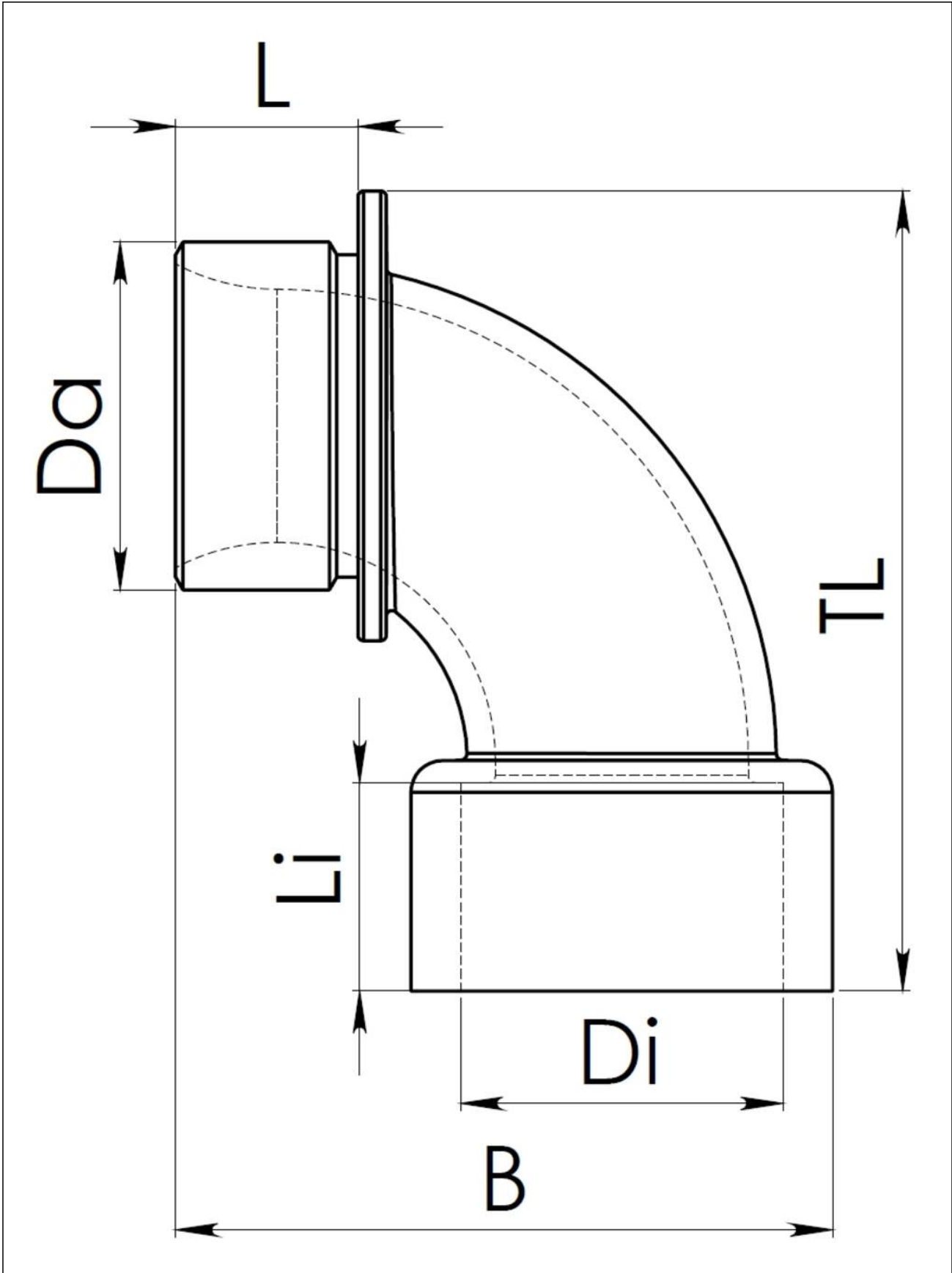
Your Contact:

WISKA Hoppmann GmbH

Kisdorfer Weg 28 · 24568 Kaltenkirchen · Germany

 +49-4191-508-0 ·  +49-4191-508-209

contact@wiska.de · www.wiska.com



Your Contact:

WISKA Hoppmann GmbH

Kisdorfer Weg 28 · 24568 Kaltenkirchen · Germany

☎ +49-4191-508-0 · 📠 +49-4191-508-209

contact@wiska.de · www.wiska.com