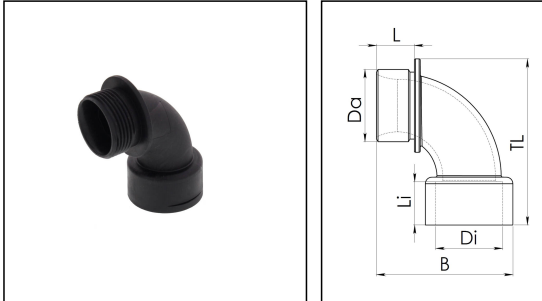


EWI90 32 BK

Elbow 90° polyamide, RAL 9005, M32



Products may differ in size, colour and appearance to those shown. If you require further information or customisation, please contact us directly.



| | |
|-----------------------------------|-----------------------------|
| Material | Polyamide UL94-V0 |
| Temp. range min | -40 °C |
| Temp. range max | 100 °C |
| Hazard level EN acc. 45545 | R22=HL3 / R23=HL3 / R24=HL3 |
| Thread type | M |
| Ø Connection thread D | 32 |
| Lead | 1,5 |
| Length screw-in thread L | 13 mm |
| Total length TL | 65 mm |
| Width B | 55 mm |
| Length internal thread | 14,9 mm |
| Type of conduit fitting | 90° Angle |
| Product Color | RAL 9005 |
| Order no. RAL 9005 | 10110786 |
| Type | EWI90 32 BK |
| Packing unit | 5 |
| EAN number | 4007686257564 |
| Tariff number | 39269097 |
| ETIM-Classification | EC000441 |

Recommended accessories

| | |
|-------------------|----------|
| EMUG 32 BK | 10061784 |
| EADR 32 | 10062805 |

Your Contact:

WISKA Hoppmann GmbH

Kisdorfer Weg 28 · 24568 Kaltenkirchen · Germany

☎ +49-4191-508-0 · 📠 +49-4191-508-209

contact@wiska.de · www.wiska.com

26.06.2026

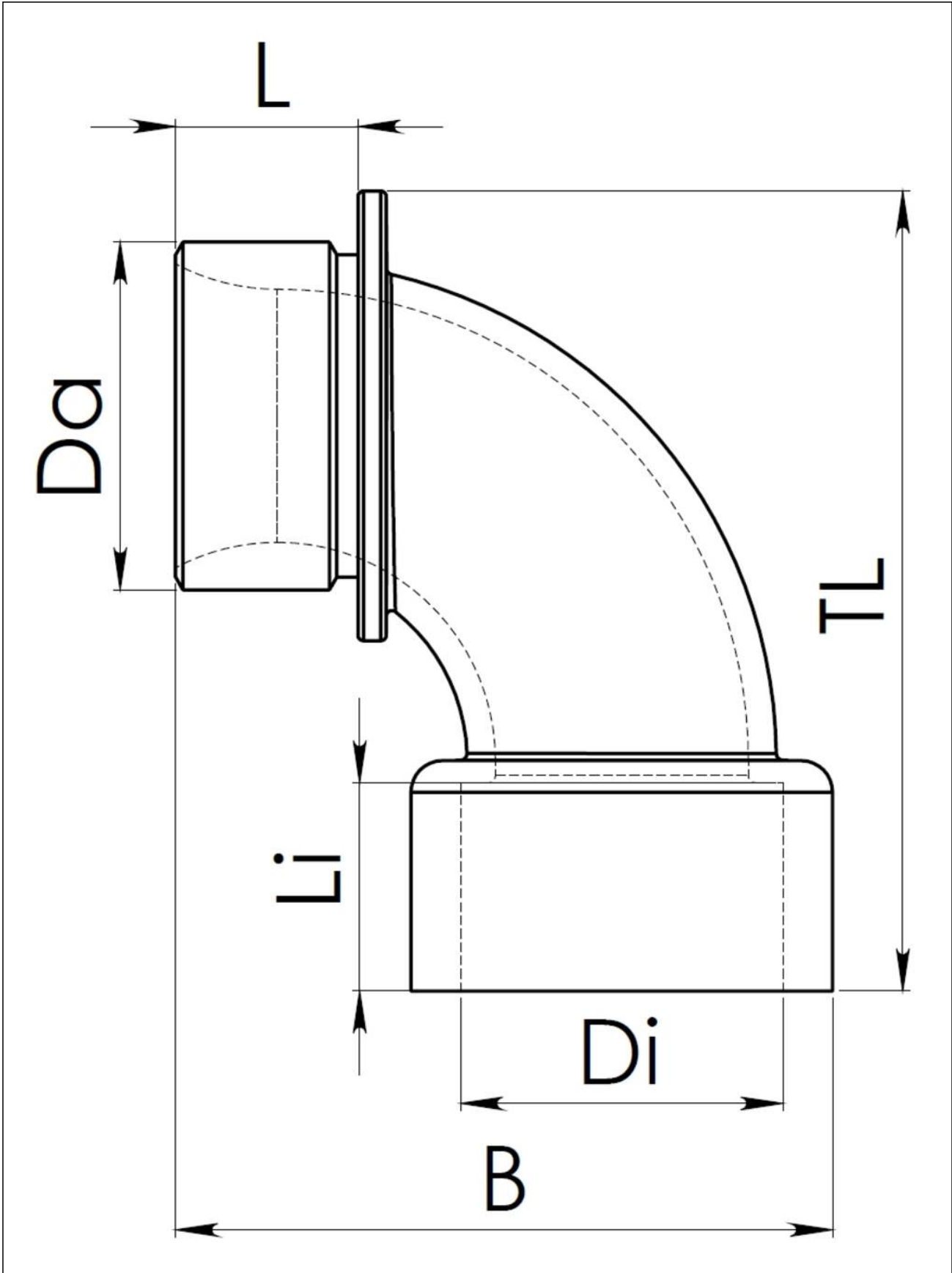
Your Contact:

WISKA Hoppmann GmbH

Kisdorfer Weg 28 · 24568 Kaltenkirchen · Germany

☎ +49-4191-508-0 · 📠 +49-4191-508-209

contact@wiska.de · www.wiska.com



Your Contact:

WISKA Hoppmann GmbH

Kisdorfer Weg 28 · 24568 Kaltenkirchen · Germany

☎ +49-4191-508-0 · 📠 +49-4191-508-209

contact@wiska.de · www.wiska.com