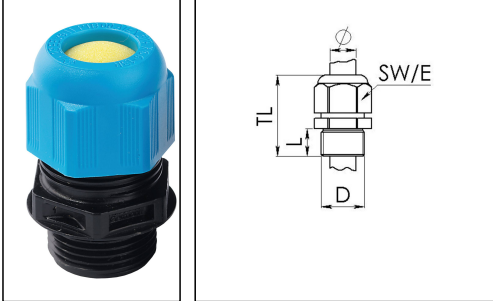


## ESKE/1-i 40 MFD 04/100

Ex Cable gland, plastic, RAL 9005/5012, M40, with mounted MFD



Products may differ in size, colour and appearance to those shown. If you require further information or customisation, please contact us directly.



Material cable gland	Polyamide
Material sealing gasket	EPDM
Temp. range min	-40 °C
Temp. range max	75 °C
Protection class	IP66 / IP68 (5 bar 30 min)
Type of protection	Ex tb, Ex eb
Ex-Certificate	ATEX, IECEx
Glow wire test	750 °C
Thread type	M
Ø Connection thread D	40
Lead	1,5
Length screw-in thread L	12 mm
Ø cable diameter min	9 mm
Ø cable diameter max	10 mm
Number of cable entries	4
Key width SW	46 mm
Collar diameter (E)	51 mm
Total length TL	52 mm - 65 mm
Install. torques fitting	11 N m
Install. torques cap nut	10 N m
Equipment	Incl. connection thread gasket
Product Color	RAL 5012 / RAL 9005
Order no. RAL 9005	10110942
Type	ESKE/1-i 40 MFD 04/100
Packing unit	10

Your Contact:

WISKA Hoppmann GmbH

Kisdorfer Weg 28 · 24568 Kaltenkirchen · Germany

☎ +49-4191-508-0 · 📠 +49-4191-508-209

contact@wiska.de · www.wiska.com

<b>EAN number</b>	4007686265941
<b>Tariff number</b>	39269097
<b>ETIM-Classification</b>	EC000441

**Recommended accessories**

<b>EMUG 40 BK</b>	10061785
-------------------	----------

12.05.2026

Your Contact:

**WISKA Hoppmann GmbH**

Kisdorfer Weg 28 · 24568 Kaltenkirchen · Germany

☎ +49-4191-508-0 · 📠 +49-4191-508-209

contact@wiska.de · www.wiska.com



Your Contact:

**WISKA Hoppmann GmbH**

Kisdorfer Weg 28 · 24568 Kaltenkirchen · Germany

☎ +49-4191-508-0 · 📠 +49-4191-508-209

contact@wiska.de · www.wiska.com