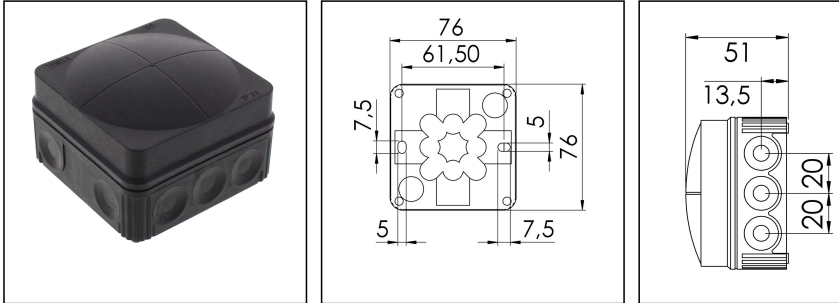


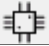
## COMBI MAR 108 BK

Junction box 76x76x51mm, polypropylene, RAL 9005



Products may differ in size, colour and appearance to those shown. If you require further information or customisation, please contact us directly.



<b>Material</b>	Polypropylene
<b>Material sealing gasket</b>	TPE
<b>Temp. range min</b>	-30 °C
<b>Temp. range max</b>	100 °C
<b>Temperatures during install.</b>	-5 °C - 60 °C
<b>Protection class</b>	IP66
<b>Glow wire test</b>	750 °C
<b>Voltage</b>	400 V
<b>Rated cross section</b>	2,5 mm <sup>2</sup>
<b>Fixing</b>	2 internal openings
<b>Ø cable diameter min</b>	3 mm
<b>Ø cable diameter max</b>	14 mm
<b>External dimensions LxWxH</b>	76 x 76 x 51mm
<b>Using for cable gland</b>	
<b>Product Color</b>	RAL 9005
<b>WISKA-Order no.</b>	10111015
<b>Type</b>	COMBI MAR 108 BK
<b>Packing unit</b>	10
<b>ETIM-Classification</b>	EC002600
<b>EAN number</b>	4007686269710
<b>Tariff number</b>	39269097

Remarks:

Equipment:

- 10 elastic self-sealing puncture-membranes for cable entry on the side and 2 in the bottom

Your Contact:

**WISKA Hoppmann GmbH**

Kisdorfer Weg 28 · 24568 Kaltenkirchen · Germany

☎ +49-4191-508-0 · 📠 +49-4191-508-209

contact@wiska.de · www.wiska.com

**Fixing:**

By two internal openings outside of the sealing area

**Recommended accessories**

<b>DIN Rail Kit - COMBI 108/308/TS15</b>	10060362
<b>MP-S Mounting plate small</b>	10105774
<b>MP-L Mounting plate large COMBI / WHK</b>	10105775
<b>ZER 4-12 LG</b>	10109800
<b>ZER 11-18 LG</b>	10110766
<b>SP-KT-W 221/CSM-3x221-413</b>	22001114
<b>SP-KT-W 221/CSM</b>	22001115
<b>SP-HKT 11/5 Terminal block</b>	22001132

12.05.2026

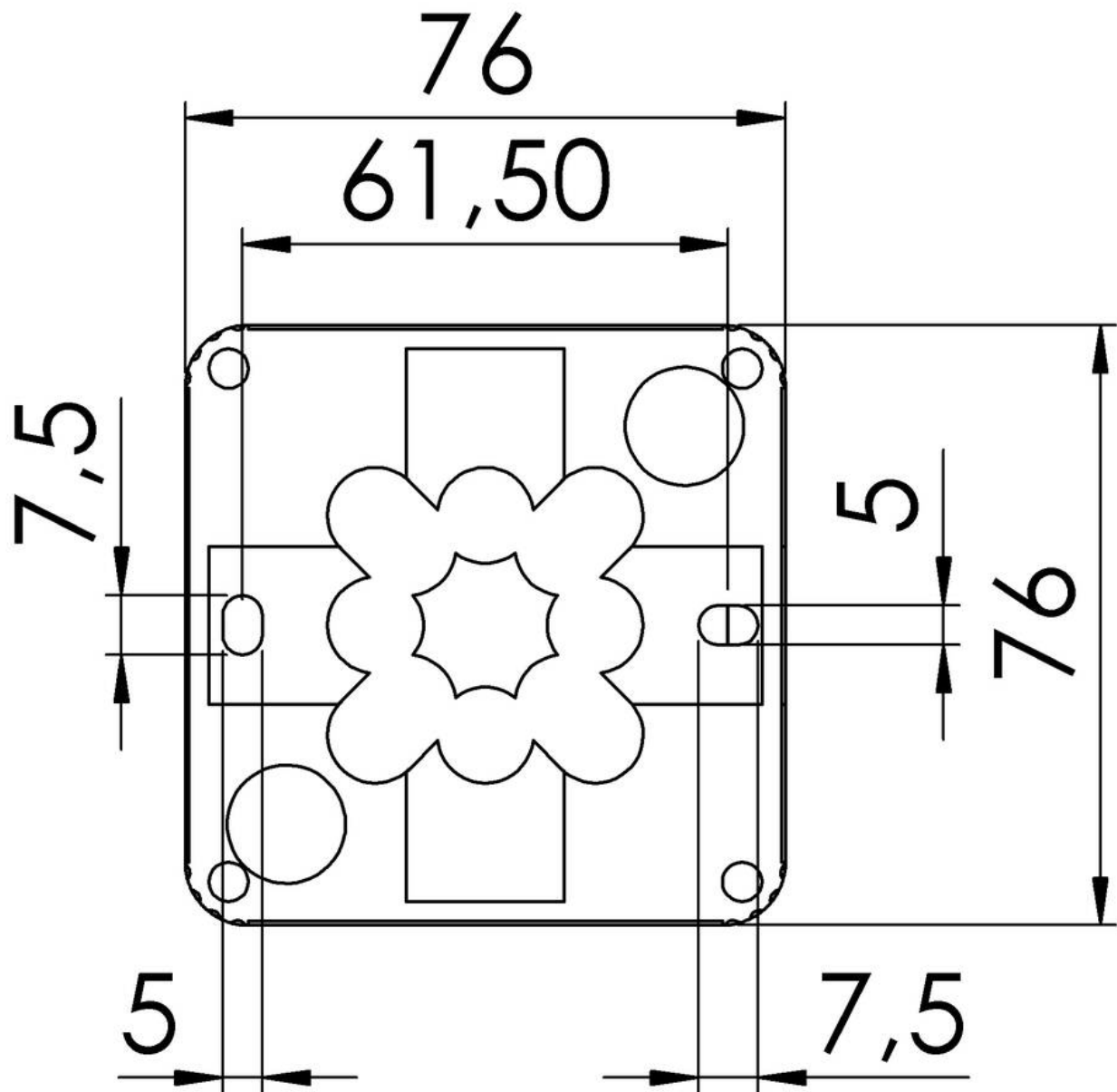
**Your Contact:**

**WISKA Hoppmann GmbH**

Kisdorfer Weg 28 · 24568 Kaltenkirchen · Germany

☎ +49-4191-508-0 · 📠 +49-4191-508-209

contact@wiska.de · www.wiska.com



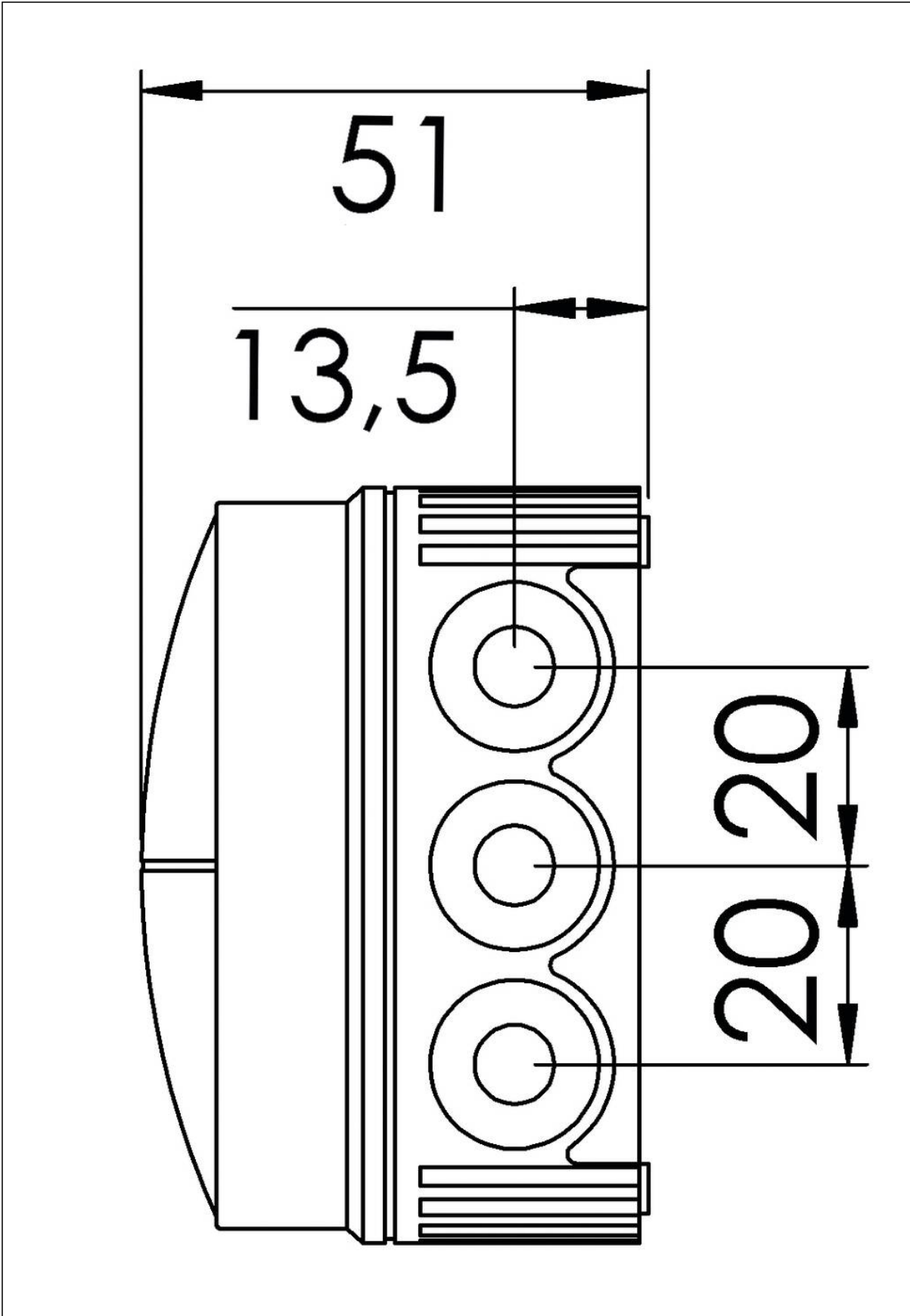
Your Contact:

**WISKA Hoppmann GmbH**

Kisdorfer Weg 28 · 24568 Kaltenkirchen · Germany

☎ +49-4191-508-0 · 📠 +49-4191-508-209

contact@wiska.de · www.wiska.com



Your Contact:  
**WISKA Hoppmann GmbH**  
Kisdorfer Weg 28 · 24568 Kaltenkirchen · Germany  
☎ +49-4191-508-0 · 📠 +49-4191-508-209  
contact@wiska.de · www.wiska.com