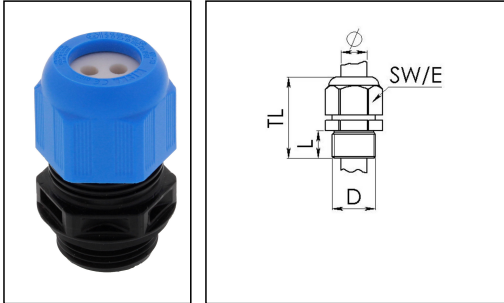


## ESKE/1-i 20 MFD 03/040

Ex Cable gland, plastic, RAL 9005/5012, M20, with mounted MFD



Products may differ in size, colour and appearance to those shown. If you require further information or customisation, please contact us directly.



|                          |                                |
|--------------------------|--------------------------------|
| Material cable gland     | Polyamide                      |
| Material sealing gasket  | TPE, EPDM                      |
| Temp. range min          | -40 °C                         |
| Temp. range max          | 75 °C                          |
| Protection class         | IP66 / IP68 (5 bar 30 min)     |
| Type of protection       | Ex eb, Ex tb                   |
| Ex-Certificate           | ATEX, IECEx                    |
| Glow wire test           | 750 °C                         |
| Thread type              | M                              |
| Ø Connection thread D    | 20                             |
| Lead                     | 1,5                            |
| Length screw-in thread L | 10 mm                          |
| Ø cable diameter min     | 3,6 mm                         |
| Ø cable diameter max     | 4 mm                           |
| Number of cable entries  | 3                              |
| Key width SW             | 24 mm                          |
| Collar diameter (E)      | 27 mm                          |
| Total length TL          | 36 mm - 45 mm                  |
| Install. torques fitting | 2,3 N m                        |
| Install. torques cap nut | 1,5 N m                        |
| Equipment                | Incl. connection thread gasket |
| Product Color            | RAL 5012 / RAL 9005            |
| Order no. RAL 9005       | 10111041                       |
| Type                     | ESKE/1-i 20 MFD 03/040         |
| Packing unit             | 50                             |

Your Contact:

WISKA Hoppmann GmbH

Kisdorfer Weg 28 · 24568 Kaltenkirchen · Germany

☎ +49-4191-508-0 · 📠 +49-4191-508-209

contact@wiska.de · www.wiska.com

|                            |               |
|----------------------------|---------------|
| <b>EAN number</b>          | 4007686270426 |
| <b>Tariff number</b>       | 39269097      |
| <b>ETIM-Classification</b> | EC000441      |

12.05.2026

Your Contact:  
**WISKA Hoppmann GmbH**  
Kisdorfer Weg 28 · 24568 Kaltenkirchen · Germany  
☎ +49-4191-508-0 · 📠 +49-4191-508-209  
contact@wiska.de · www.wiska.com



Your Contact:

**WISKA Hoppmann GmbH**

Kisdorfer Weg 28 · 24568 Kaltenkirchen · Germany

☎ +49-4191-508-0 · 📠 +49-4191-508-209

contact@wiska.de · www.wiska.com