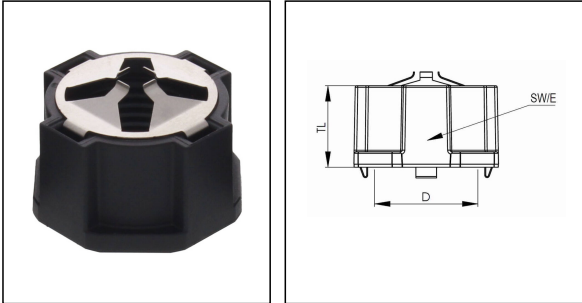


## MagikNUT 16 BK

EMC Locknut, polyamide / stainless steel, RAL 9005, M16



Products may differ in size, colour and appearance to those shown. If you require further information or customisation, please contact us directly.



<b>Material</b>	Polyamide, Stainless steel
<b>Temp. range min</b>	-40 °C
<b>Temp. range max</b>	100 °C
<b>Thread type</b>	M
<b>Ø Connection thread D</b>	16
<b>Lead</b>	1,5
<b>Total length TL</b>	15,8 mm
<b>Key width SW</b>	24 mm
<b>Collar diameter (E)</b>	25 mm
<b>Cable Ø shield external</b>	3,5 mm - 9 mm
<b>Product Color</b>	RAL 9005
<b>Order no. RAL 9005</b>	10111060
<b>Type</b>	MagikNUT 16 BK
<b>Packing unit</b>	25
<b>EAN number</b>	4007686270860
<b>Tariff number</b>	39174000
<b>ETIM-Classification</b>	EC000940

### Recommended accessories

<b>ESKV 16 BK</b>	10066121
<b>ESKV-L 16 BK</b>	10066501

23.05.2026

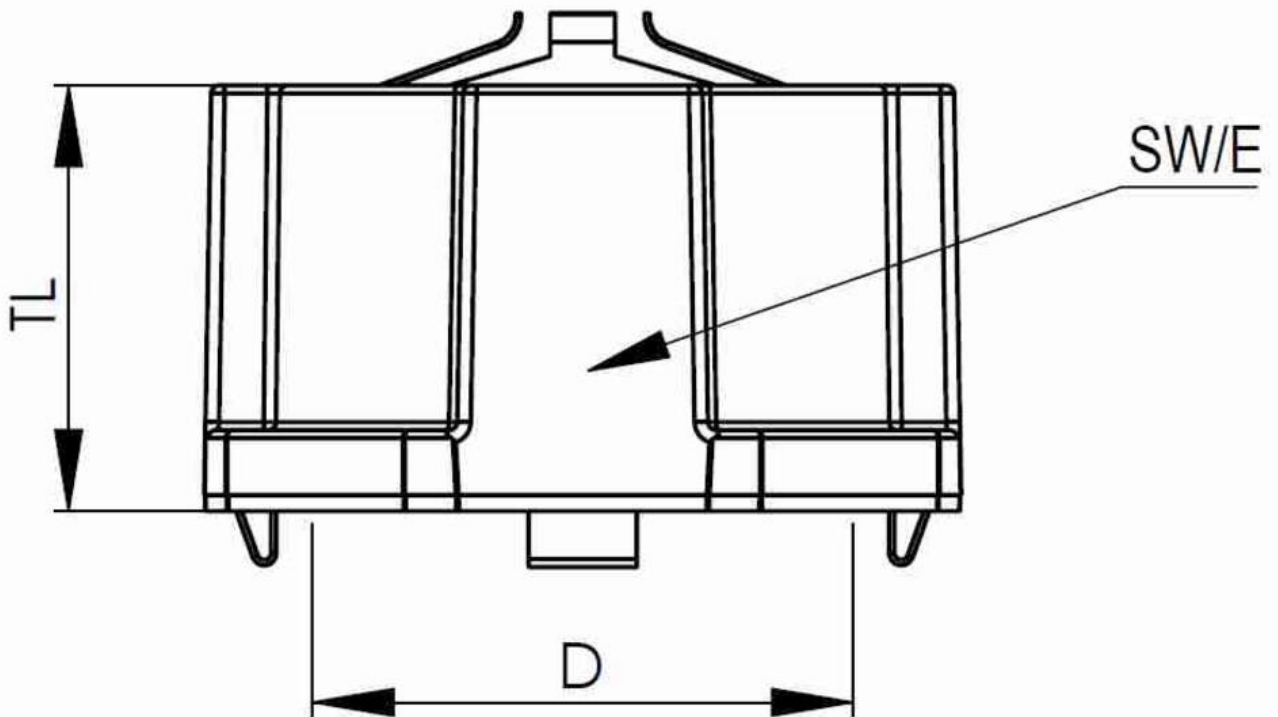
Your Contact:

**WISKA Hoppmann GmbH**

Kisdorfer Weg 28 · 24568 Kaltenkirchen · Germany

☎ +49-4191-508-0 · 📠 +49-4191-508-209

contact@wiska.de · www.wiska.com



Your Contact:

**WISKA Hoppmann GmbH**

Kisdorfer Weg 28 · 24568 Kaltenkirchen · Germany

☎ +49-4191-508-0 · 📠 +49-4191-508-209

contact@wiska.de · www.wiska.com