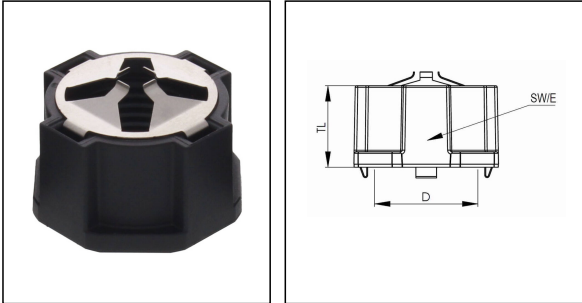


MagikNUT 20 BK

EMC Locknut, polyamide / stainless steel, RAL 9005, M20



Products may differ in size, colour and appearance to those shown. If you require further information or customisation, please contact us directly.



Material	Polyamide, Stainless steel
Temp. range min	-40 °C
Temp. range max	100 °C
Thread type	M
Ø Connection thread D	20
Lead	1,5
Total length TL	15,8 mm
Key width SW	28 mm
Collar diameter (E)	30 mm
Cable Ø shield external	5 mm - 12 mm
Product Color	RAL 9005
Order no. RAL 9005	10111061
Type	MagikNUT 20 BK
Packing unit	25
EAN number	4007686272345
Tariff number	39174000
ETIM-Classification	EC000940

Recommended accessories

ESKV 20 BK	10066122
ESKV-L 20 BK	10066502

23.05.2026

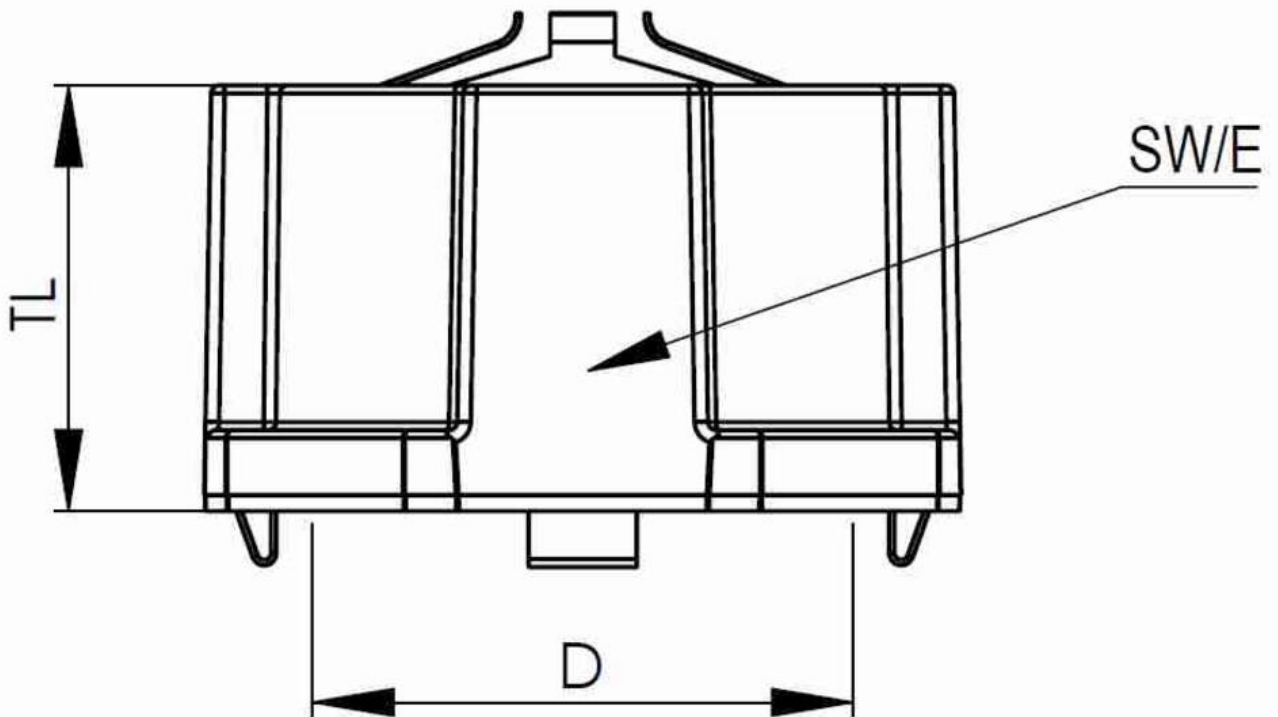
Your Contact:

WISKA Hoppmann GmbH

Kisdorfer Weg 28 · 24568 Kaltenkirchen · Germany

☎ +49-4191-508-0 · 📠 +49-4191-508-209

contact@wiska.de · www.wiska.com



Your Contact:

WISKA Hoppmann GmbH

Kisdorfer Weg 28 · 24568 Kaltenkirchen · Germany

☎ +49-4191-508-0 · 📠 +49-4191-508-209

contact@wiska.de · www.wiska.com