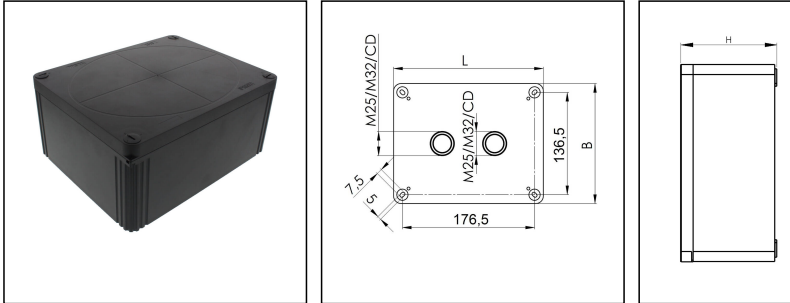


COMBI 1610 PL BK

Junction box 200x160x94mm, polycarbonate, RAL 9005



Products may differ in size, colour and appearance to those shown. If you require further information or customisation, please contact us directly.



Material	Polycarbonate
Material sealing gasket	PU
Temp. range min	-30 °C
Temp. range max	100 °C
Temperatures during install.	-5 °C - 60 °C
Protection class	IP66 / IP67
Glow wire test	960 °C
Voltage	690 V
Rated cross section	16 mm ²
External dimensions LxWxH	200 x 160 x 94 mm
Product Color	RAL 9005
Order no. RAL 9005	10111117
Type	COMBI 1610 PL BK
Packing unit	1
ETIM-Classification	EC002600
EAN number	4007686272123
Tariff number	39269097

Remarks:

Equipment:

- 2 knockouts in the bottom 2x M25/M32
- 4 captive cover screws

Mounting:

- 4 internal openings outside of the sealing area

Your Contact:

WISKA Hoppmann GmbH
Kisdorfer Weg 28 · 24568 Kaltenkirchen · Germany
☎ +49-4191-508-0 · 📠 +49-4191-508-209
contact@wiska.de · www.wiska.com

Recommended accessories

External mounting - COMBI LG	10108836
SP-HKT 1610 Terminal block	22001224

23.05.2026

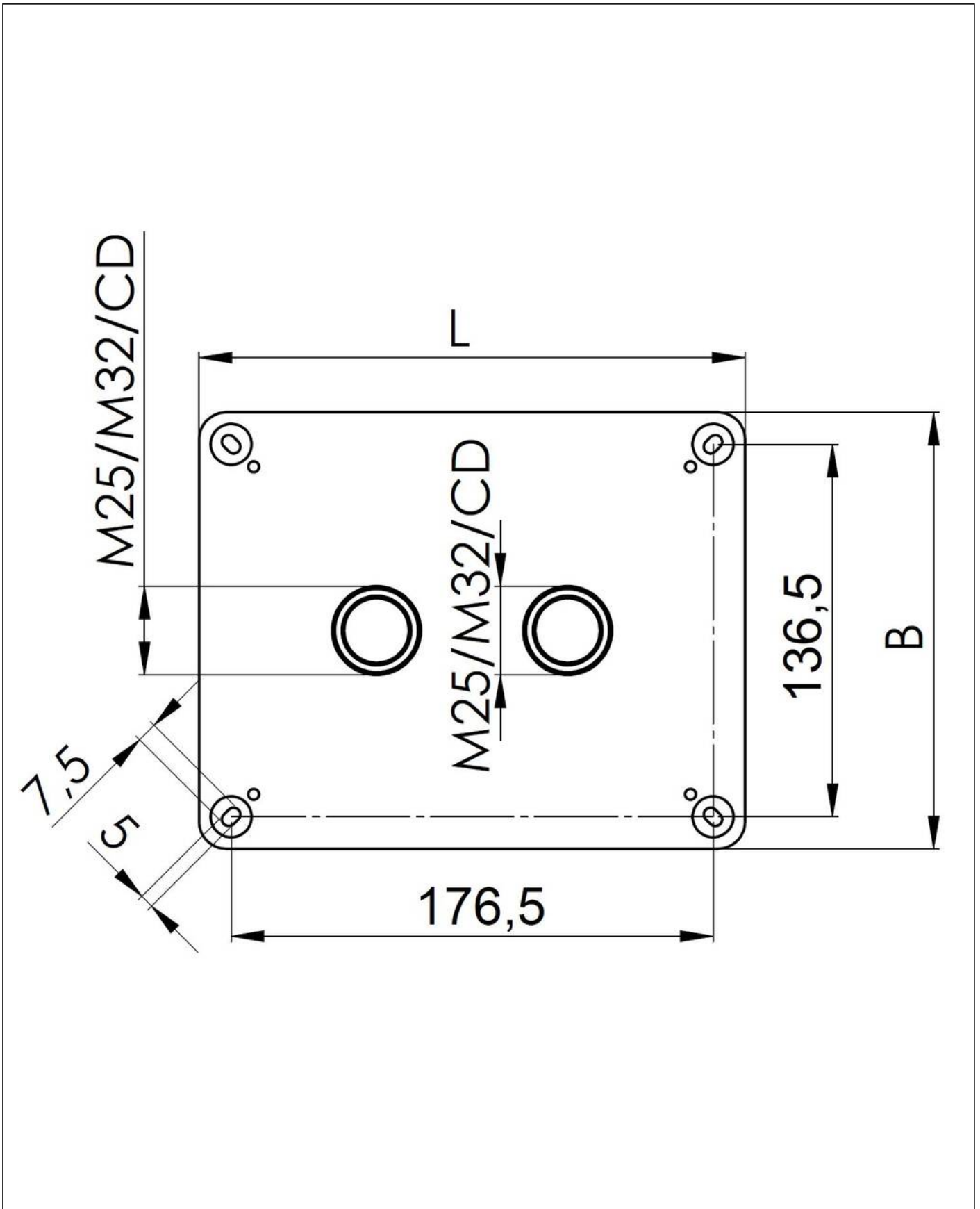
Your Contact:

WISKA Hoppmann GmbH

Kisdorfer Weg 28 · 24568 Kaltenkirchen · Germany

☎ +49-4191-508-0 · 📠 +49-4191-508-209

contact@wiska.de · www.wiska.com



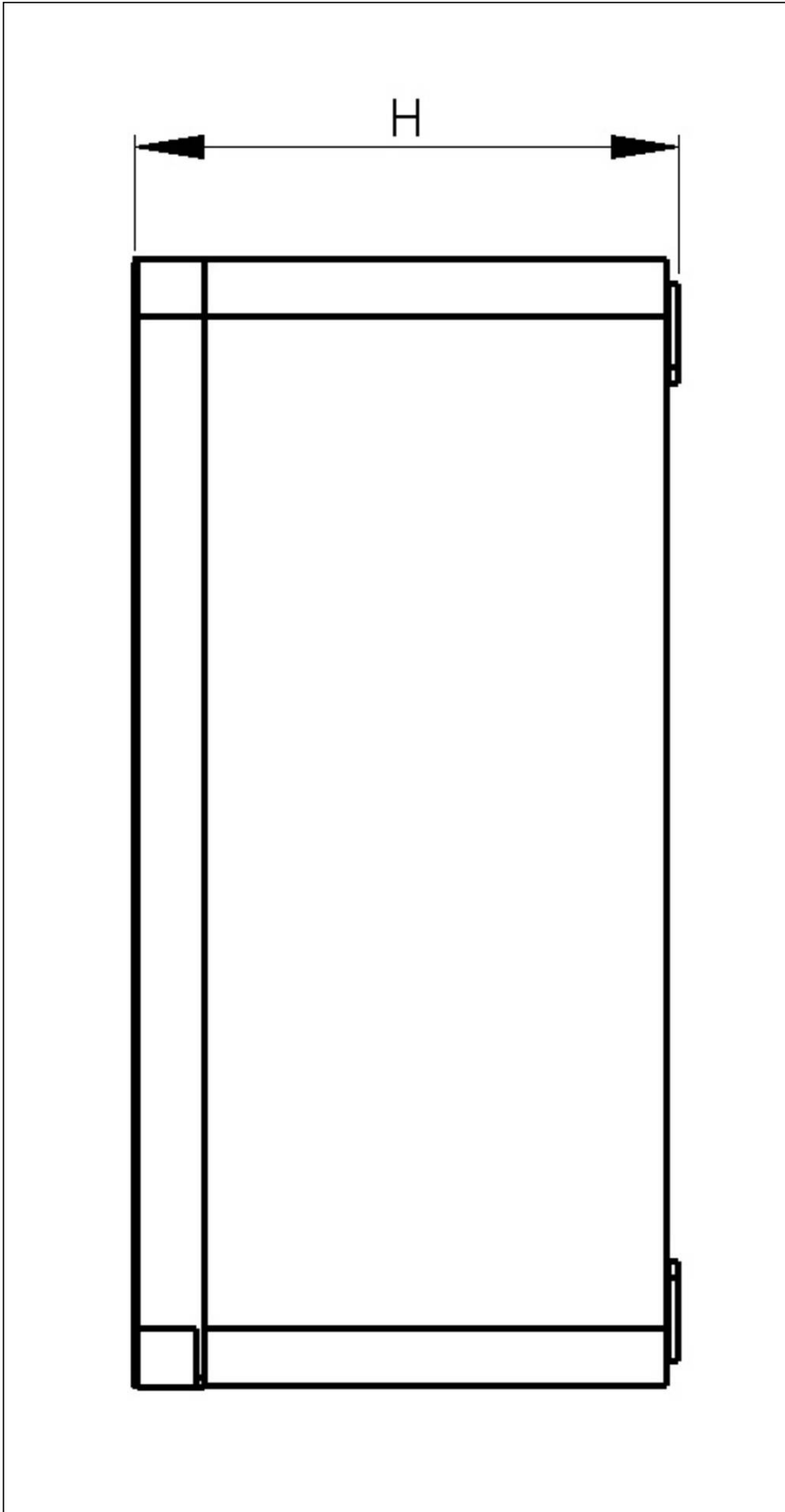
Your Contact:

WISKA Hoppmann GmbH

Kisdorfer Weg 28 · 24568 Kaltenkirchen · Germany

☎ +49-4191-508-0 · 📠 +49-4191-508-209

contact@wiska.de · www.wiska.com



Your Contact:

WISKA Hoppmann GmbH

Kisdorfer Weg 28 · 24568 Kaltenkirchen · Germany

☎ +49-4191-508-0 · 📠 +49-4191-508-209

contact@wiska.de · www.wiska.com