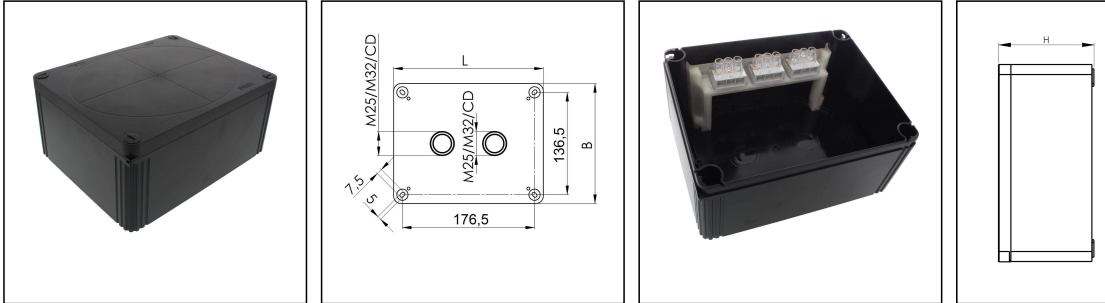


## COMBI 1610/3 PL BK

Junction box 200x160x94mm, polycarbonate, RAL 9005, with terminal block



Products may differ in size, colour and appearance to those shown. If you require further information or customisation, please contact us directly.



<b>Material</b>	Polycarbonate
<b>Material sealing gasket</b>	PU
<b>Temp. range min</b>	-30 °C
<b>Temp. range max</b>	100 °C
<b>Temperatures during install.</b>	-5 °C - 60 °C
<b>Protection class</b>	IP66 / IP67
<b>Glow wire test</b>	960 °C
<b>Voltage</b>	690 V
<b>Rated cross section</b>	16 mm <sup>2</sup>
<b>Terminals/poles</b>	3-pole, 16,0 mm <sup>2</sup>
<b>External dimensions LxWxH</b>	200 x 160 x 94 mm
<b>Product Color</b>	RAL 9005
<b>Order no. RAL 9005</b>	10111118
<b>Type</b>	COMBI 1610/3 PL BK
<b>Packing unit</b>	1
<b>ETIM-Classification</b>	EC002600
<b>EAN number</b>	4007686272147
<b>Tariff number</b>	85369010

Remarks:

Equipment:

- 2 knockouts in the bottom 2x M25/M32
- 4 captive cover screws
- inclusive terminal block 3-poles, 16mm<sup>2</sup>

Mounting:

Your Contact:

**WISKA Hoppmann GmbH**  
Kisdorfer Weg 28 · 24568 Kaltenkirchen · Germany  
☎ +49-4191-508-0 · 📠 +49-4191-508-209  
contact@wiska.de · www.wiska.com

**4 internal openings outside of the sealing area**

#### Recommended accessories

<b>External mounting - COMBI LG</b>	10108836
-------------------------------------	----------

#### Spare parts

<b>SP-HKT 1610 Terminal block</b>	22001224
-----------------------------------	----------

23.05.2026

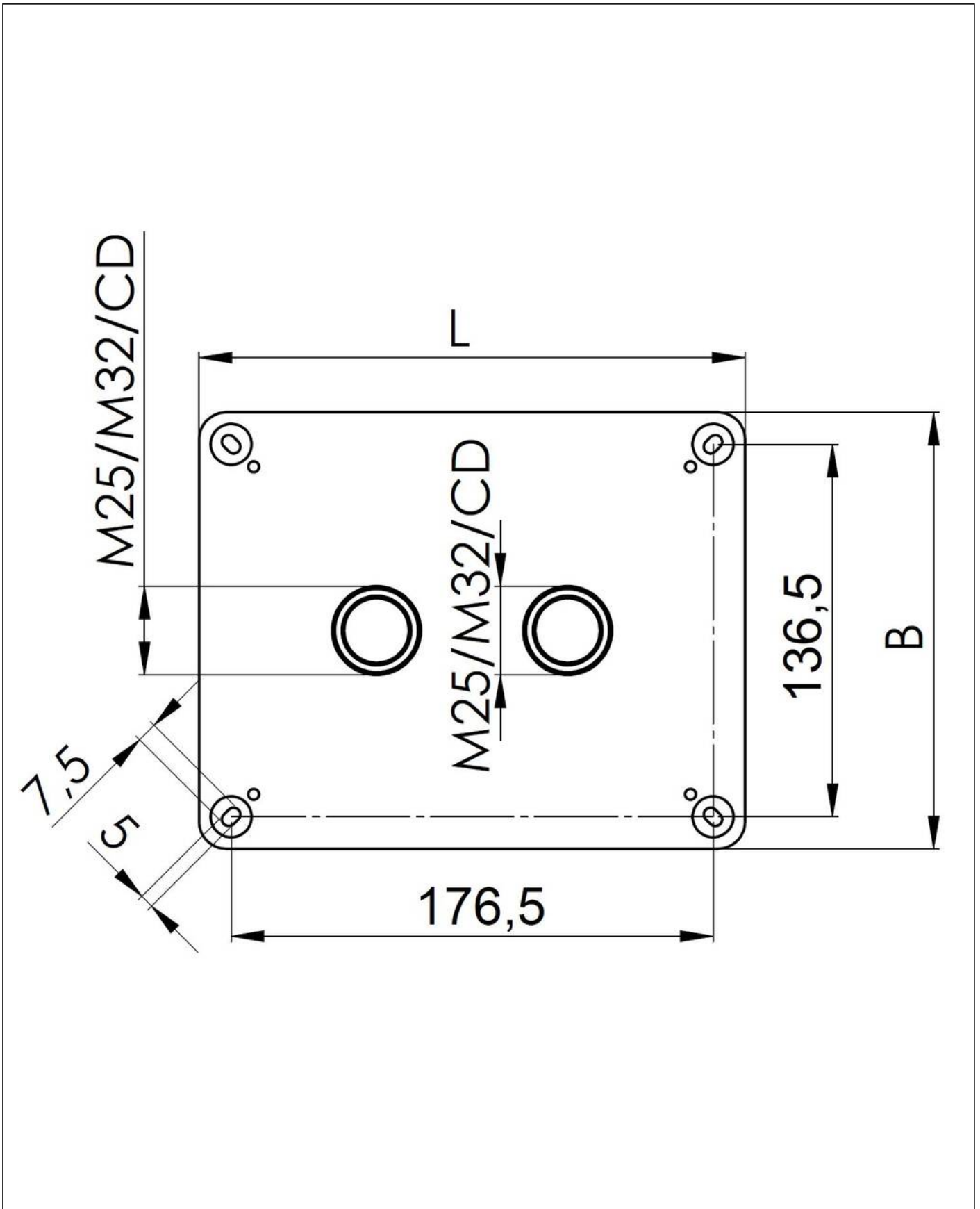
Your Contact:

**WISKA Hoppmann GmbH**

Kisdorfer Weg 28 · 24568 Kaltenkirchen · Germany

☎ +49-4191-508-0 · 📠 +49-4191-508-209

contact@wiska.de · www.wiska.com



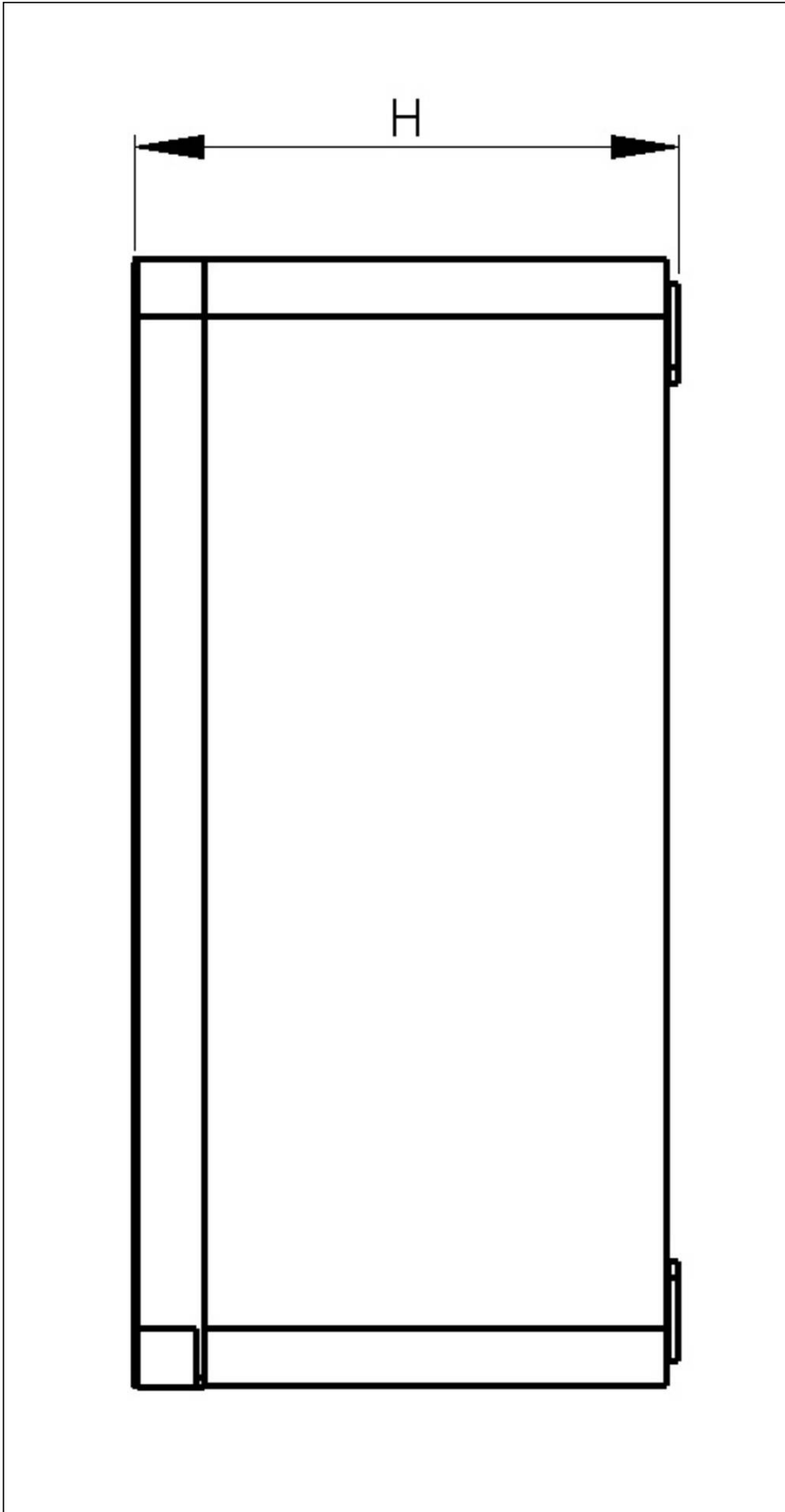
Your Contact:

**WISKA Hoppmann GmbH**

Kisdorfer Weg 28 · 24568 Kaltenkirchen · Germany

☎ +49-4191-508-0 · 📠 +49-4191-508-209

contact@wiska.de · www.wiska.com



Your Contact:

**WISKA Hoppmann GmbH**

Kisdorfer Weg 28 · 24568 Kaltenkirchen · Germany

☎ +49-4191-508-0 · 📠 +49-4191-508-209

contact@wiska.de · www.wiska.com