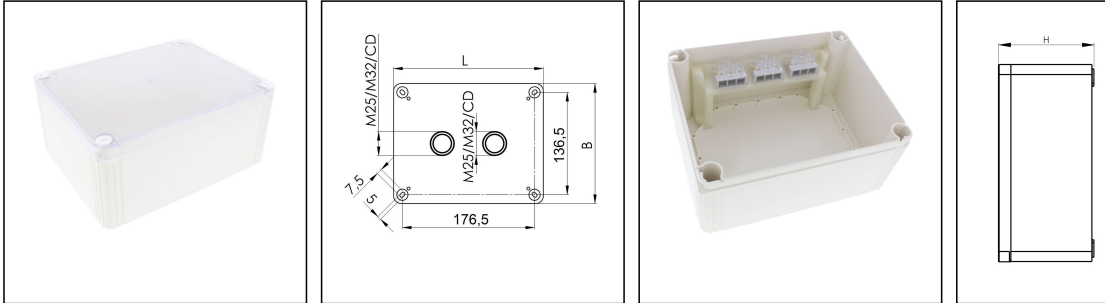


COMBI 1610/3 PL WH DK

Junction box 200x160x94mm, polycarbonate, RAL 9001, clear cover, incl. terminals



Products may differ in size, colour and appearance to those shown. If you require further information or customisation, please contact us directly.



Material	Polycarbonate
Material sealing gasket	PU
Temp. range min	-30 °C
Temp. range max	100 °C
Temperatures during install.	-5 °C - 60 °C
Protection class	IP66 / IP67
Glow wire test	960 °C
Voltage	690 V
Rated cross section	16 mm ²
Terminals/poles	3-pole, 16,0 mm ²
External dimensions LxWxH	200 x 160 x 94 mm
Product Color	RAL 9001
Order no. RAL 9001	10111124
Type	COMBI 1610/3 PL WH DK
Packing unit	1
ETIM-Classification	EC002600
EAN number	4007686272260
Tariff number	85369010

Remarks:

Equipment:

- 2 knockouts in the bottom 2x M25/M32
- 4 captive cover screws
- Colour casing: RAL 9001 (white)
- Colour lid: clear
- inclusive terminal block 3-poles, 16mm²

Your Contact:

WISKA Hoppmann GmbH
 Kisdorfer Weg 28 · 24568 Kaltenkirchen · Germany
 ☎ +49-4191-508-0 · 📠 +49-4191-508-209
 contact@wiska.de · www.wiska.com

Mounting:

4 internal openings outside of the sealing area

Recommended accessories

External mounting - COMBI LG	10108836
-------------------------------------	----------

Spare parts

SP-HKT 1610 Terminal block	22001224
-----------------------------------	----------

23.05.2026

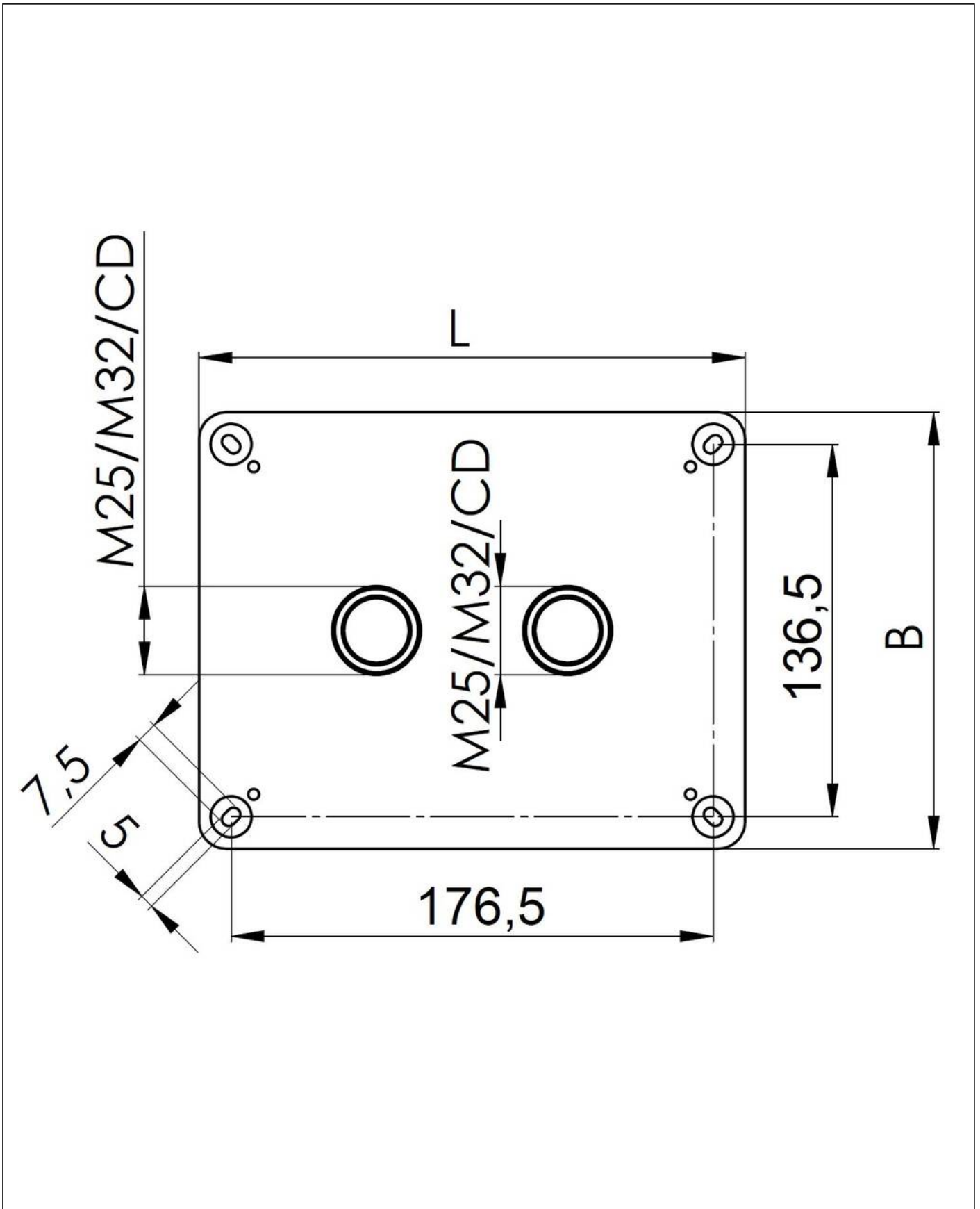
Your Contact:

WISKA Hoppmann GmbH

Kisdorfer Weg 28 · 24568 Kaltenkirchen · Germany

☎ +49-4191-508-0 · 📠 +49-4191-508-209

contact@wiska.de · www.wiska.com



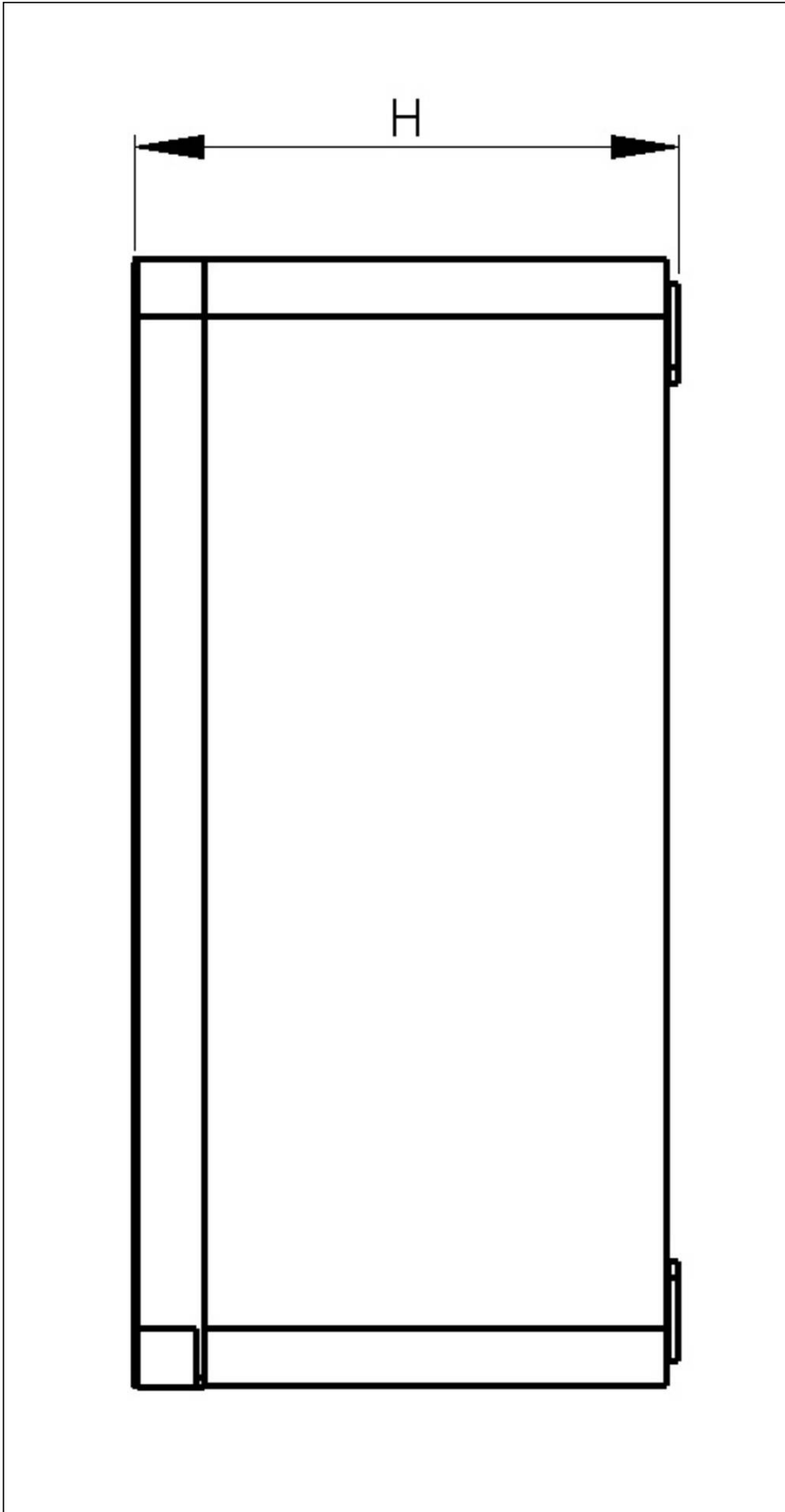
Your Contact:

WISKA Hoppmann GmbH

Kisdorfer Weg 28 · 24568 Kaltenkirchen · Germany

☎ +49-4191-508-0 · 📠 +49-4191-508-209

contact@wiska.de · www.wiska.com



Your Contact:

WISKA Hoppmann GmbH

Kisdorfer Weg 28 · 24568 Kaltenkirchen · Germany

☎ +49-4191-508-0 · 📠 +49-4191-508-209

contact@wiska.de · www.wiska.com